

**ADR-1 Series, 1Watt**
**FEATURES:**

- ✓ Universal AC input range
- ✓ Typical Efficiency up to 75%
- ✓ Short circuit, over current and over voltage protections
- ✓ Board in-line type installation
- ✓ High voltage isolation 3000Vac
- ✓ 100% burn-in test
- ✓ 2year warranty



Model	Input voltage (Vac)	Output voltage (Vdc)	Output current (mA)	Efficiency Typ.
ADR1-5	90-264	5	200	74%
ADR1-9		9	111	75%
ADR1-12		12	85	75%
ADR1-15		15	66	75%
ADR1-18		18	55	75%
ADR1-24		24	41.6	75%
ADR1-36		36	27.7	74%
ADR1-48		48	20.8	74%

**ELECTRICAL**
**Input**

Parameters	Symbols	Test Conditions / Comment	Min.	Typ.	Max.	Units
Input voltage	$V_{in}$	--	90	--	264	Vac
Input frequency	$F_{line}$	--	47	--	63	Hz
Input current	$I_{in}$	Full load, $V_{in}=115Vac$	--	60	--	mA
		Full load, $V_{in}=230Vac$	--	30	--	mA
Inrush current	$I_{inrush}$	Cold start, $V_{in}=230Vac$	--	40	--	A
Efficiency	$\eta$	Full voltage, full load	--	75	--	%

**ADR-1 Series, 1Watt**
**ELECTRICAL**
**Output**

Parameters	Symbols	Test Conditions / Comment	Min.	Typ.	Max.	Units
Output voltage accuracy	--	$V_{in}=100-240Vac$	--	1	--	%
Line regulation	$I_{out-line}$	$V_{in}$ from 100Vac to 240Vac	--	0.5	--	%
Load regulation	$I_{out-load}$	20%-100% load	--	1	--	%
Ripple	--	--	--	100	--	mV

**Protection**

Overload	Typ.125-190%					
Short circuit	In hiccup mode, it will recover automatically after fault condition is removed					
Overvoltage	Typ.125-190%					

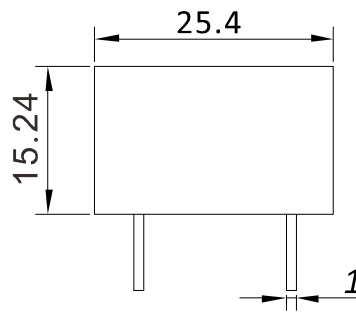
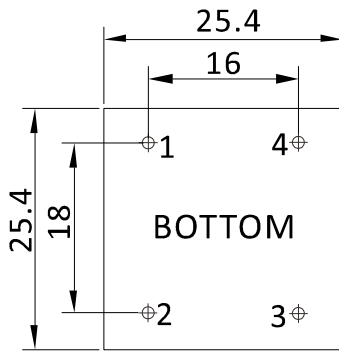
**Environment**

Storage	$T_{storage}$	Humidity: 5% RH to 95% RH	-40	--	+85	°C
Ambient operating temperature	$T_a$	Startup at rated voltage (Please refer to derating curve)	-25	--	+70	°C
Operating relative humidity	$H_a$	Non condensing	10	--	90	%
MTBF	$T_{MTBF}$	Full load, 230Vac input, 25°C ambient temperature	220	--	--	kHrs
Dimension(LxWxH)	25.4x25.4x15.24mm					

**Safety**

Safety standards	EN609501-1, EN60950-1					
Withstand voltage	I/P-O/P: 3KVac					
Insulation Resistance	I/P-O/P: > 100M Ohms/500VDC/25°C/70%RH					
EMI / RFI conducted	EN55022, Level B conducted & radiated					

**Notes: Unless otherwise specified, all the above parameters are measured at ambient temperature of 25°C and input nominal voltage.**

**ADR-1 Series, 1Watt**
**MECHANICAL**

**CONNECTION**

PIN #	SINGLE
1	AC(N)
2	AC(L)
3	+Vo
4	-Vo

Note: Unit is mm(inch).