

ADR-2 Series, 2Watt
FEATURES:

- ✓ Universal AC input range
- ✓ Typical Efficiency up to 75%
- ✓ Short circuit, over current and over voltage protections
- ✓ Board in-line type installation
- ✓ High voltage isolation 3000Vac
- ✓ 100% burn-in test
- ✓ 2year warranty



Model	Input voltage (Vac)	Output voltage (Vdc)	Output current (mA)	Efficiency Typ.
ADR2-5	90-264	5	400	74%
ADR2-9		9	222	75%
ADR2-12		12	166	75%
ADR2-15		15	133	75%
ADR2-18		18	111	75%
ADR2-24		24	83.3	75%
ADR2-36		36	55.5	74%
ADR2-48		48	41.6	74%

ELECTRICAL
Input

Parameters	Symbols	Test Conditions / Comment	Min.	Typ.	Max.	Units
Input voltage	V_{in}	--	90	--	264	Vac
Input frequency	F_{line}	--	47	--	63	Hz
Input current	I_{in}	Full load, $V_{in}=115Vac$	--	60	--	mA
		Full load, $V_{in}=230Vac$	--	30	--	mA
Inrush current	I_{inrush}	Cold start, $V_{in}=230Vac$	--	40	--	A
Efficiency	η	Full voltage, full load	--	75	--	%

ADR-2 Series, 2Watt
ELECTRICAL
Output

Parameters	Symbols	Test Conditions / Comment	Min.	Typ.	Max.	Units
Output voltage accuracy	--	$V_{in}=100-240Vac$	--	1	--	%
Line regulation	$I_{out-line}$	V_{in} from 100Vac to 240Vac	--	0.5	--	%
Load regulation	$I_{out-load}$	20%-100% load	--	1	--	%
Ripple	--	--	--	100	--	mV

Protection

Overload	Typ.125-190%					
Short circuit	In hiccup mode, it will recover automatically after fault condition is removed					
Overvoltage	Typ.125-190%					

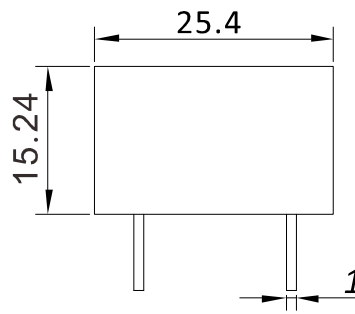
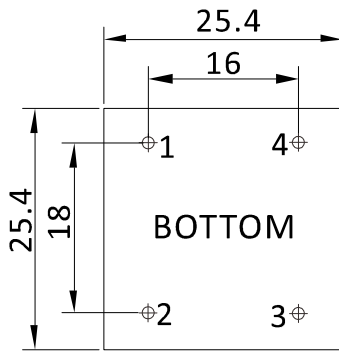
Environment

Storage	$T_{storage}$	Humidity: 5% RH to 95% RH	-40	--	+85	°C
Ambient operating temperature	T_a	Startup at rated voltage (Please refer to derating curve)	-25	--	+70	°C
Operating relative humidity	H_a	Non condensing	10	--	90	%
MTBF	T_{MTBF}	Full load, 230Vac input, 25°C ambient temperature	220	--	--	kHrs
Dimension(LxWxH)	25.4x25.4x15.24mm					

Safety

Safety standards	EN609501-1, EN60950-1					
Withstand voltage	I/P-O/P: 3KVac					
Insulation Resistance	I/P-O/P: > 100M Ohms/500VDC/25°C/70%RH					
EMI / RFI conducted	EN55022, Level B conducted & radiated					

Notes: Unless otherwise specified, all the above parameters are measured at ambient temperature of 25°C and input nominal voltage.

ADR-2 Series, 2Watt
MECHANICAL

CONNECTION

PIN #	SINGLE
1	AC(N)
2	AC(L)
3	+Vo
4	-Vo

Note: Unit is mm(inch).