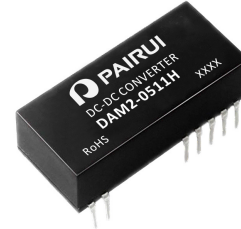


DAM-2H SERIES, 2WATT, 6KVDC, ISOLATED, UNREGULATED

FEATURES:

- ✓ 6000Vdc isolation voltage
- ✓ Single and dual output models
- ✓ High efficiency, and low ripple & noise
- ✓ Operating temperature range -40°C to +85°C
- ✓ 3 year warranty



Model	Input voltage (Vdc)	Output voltage (Vdc)	Output current (mA)		Efficiency Typ.
			Min.	Max.	
DAM2-0511H	5(4.5~5.5)	5	40	400	74%
DAM2-0512H		9	22.2	222	76%
DAM2-0513H		12	16.7	167	76%
DAM2-0514H		15	13.3	133	77%
DAM2-0521H		±5	20	200	75%
DAM2-0522H		±9	11.1	111	76%
DAM2-0523H		±12	8.3	83	76%
DAM2-0524H		±15	6.7	67	76%
DAM2-1211H	12(10.8~13.2)	5	40	400	75%
DAM2-1212H		9	22.2	222	77%
DAM2-1213H		12	16.7	167	75%
DAM2-1214H		15	13.3	133	82%
DAM2-1221H		±5	20	200	73%
DAM2-1222H		±9	11.1	111	72%
DAM2-1223H		±12	8.3	83	79%
DAM2-1224H		±15	6.7	67	80%
DAM2-2411H	24(21.6~26.4)	5	40	400	75%
DAM2-2412H		9	22.2	222	77%
DAM2-2413H		12	16.7	167	78%
DAM2-2414H		15	13.3	133	81%
DAM2-2421H		±5	20	200	75%
DAM2-2422H		±9	11.1	111	78%
DAM2-2423H		±12	8.3	83	79%
DAM2-2424H		±15	6.7	67	79%

Notes: Other input and output models may available on request.

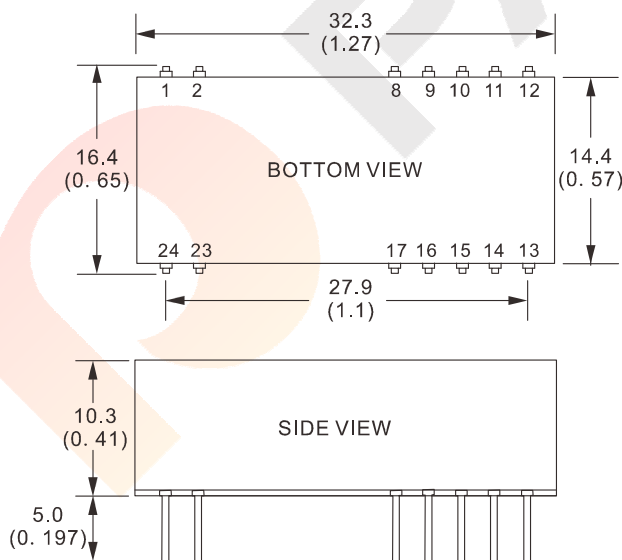
DAM-2H SERIES, 2WATT, 6KVDC, ISOLATED, UNREGULATED

ELECTRICAL

Line regulation	---	1.5% max.
Load regulation	10% ~ 100% full load	15% max.
Isolation voltage	Leakage current < 1mA/1min.	6000Vdc min.
Isolation resistance	Test at 500VDC	1000mΩ min.
Switching frequency	---	100KHz typ.
Ripple & noise	Bend width 20MHz	150mVp-p max.
Temperature coefficient	Rated load	±0.03%/°C
Operating temperature range	---	-40°C to +85°C
Storage temperature range	---	-55°C to +125°C
Short circuit protection	---	Continuours, auto recovery
MTBF	---	3500KHrs
Weight	---	8.2g

Notes: All the parameters are measured at 25°C ambient temperature, humidity < 75%, nominal input voltage, full load and after warm-up, unless otherwise specified.

MECHANICAL



CONNECTION

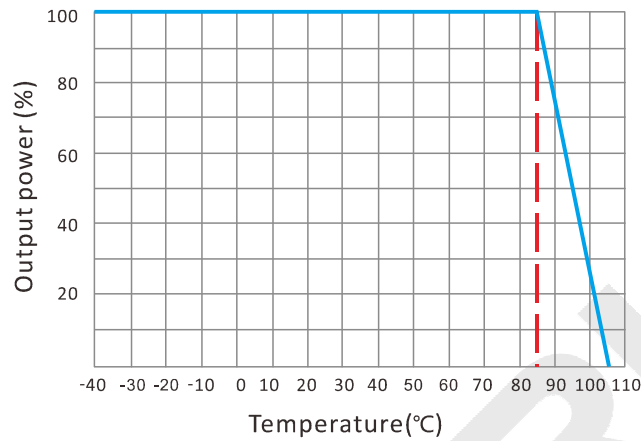
PIN #	SINGLE	DUAL
1	+Vin	+Vin
2	GND	GND
8, 17	NC	-Vo
10, 15	0V	0V
12, 13	+Vo	+Vo
9, 11	NC	NC
14, 16	NC	NC
23, 24	NC	NC

Note:

* Unit is mm(inch).

DAM-2H SERIES, 2WATT, 6KVDC, ISOLATED, UNREGULATED

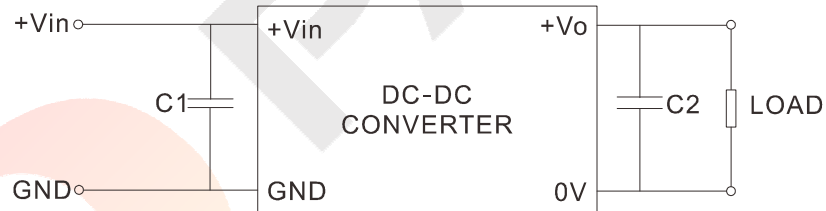
ELECTRICAL CURVE



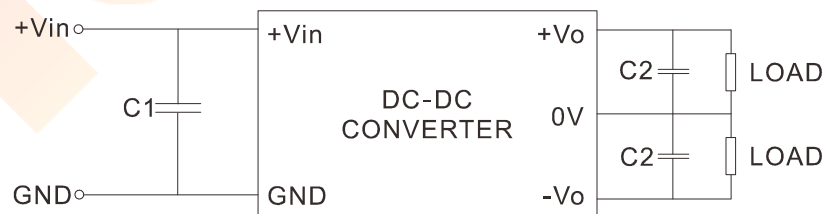
NOTE

RECOMMENDED TEST AND APPLICATION CIRCUIT

SINGLE OUTPUT



DUAL OUTPUT



DAM-2H SERIES, 2WATT, 6KVDC, ISOLATED, UNREGULATED
NOTE
CAPACITOR SELECTION

INPUT VOLTAGE	C1	SINGLE OUTPUT	C2	DUAL OUTPUT	C2
5VDC	4.7 μ F	5VDC	4.7 μ F	\pm 5VDC	4.7 μ F
12VDC	2.2 μ F	9VDC	2.2 μ F	\pm 9VDC	2.2 μ F
24VDC	1.0 μ F	12VDC	1.0 μ F	\pm 12VDC	1.0 μ F
--	--	15VDC	1.0 μ F	\pm 15VDC	1.0 μ F