

NE-75 Series, 75Watt
FEATURES:

- ✓ Input voltage range 100-240VAC
- ✓ High reliability
- ✓ Built-in EMI filter
- ✓ Short circuit, over current, over voltage protections
- ✓ Cooling by free air convection
- ✓ 100% burn-in test
- ✓ With LED power indicator
- ✓ 3 year warranty



Model	Input voltage (Vac)	Output voltage (Vdc)	Output current (A)	Efficiency Typ.
NE75-3	100-240	3.3	15	74%
NE75-5		5	12	78%
NE75-9		9	8	79%
NE75-12		12	6	83%
NE75-15		15	5	84%
NE75-24		24	3.2	85%
NE75-48		48	1.6	86%

ELECTRICAL
Input

Parameters	Symbols	Test Conditions / Comment	Min.	Typ.	Max.	Units
Input voltage	V_{in}	--	88	--	264	Vac
			125	--	370	Vdc
Input frequency	F_{line}	--	47	--	63	Hz
Inrush current	I_{inrush}	Cold start, $V_{in} = 115Vac$, full load	--	20	--	A
		Cold start, $V_{in} = 230Vac$, full load	--	40	--	A
Input current	I_{in}	Full load, $V_{in} = 115Vac$	--	1.6	--	A
		Full load, $V_{in} = 230Vac$	--	1	--	A

NE-75 Series, 75Watt
ELECTRICAL
Output

Parameters	Symbols	Test Conditions / Comment	Min.	Typ.	Max.	Units
Line regulation	$V_{out-line}$	V_{in} from 100 Vac To 240 Vac	--	1	--	%
Load regulation	$V_{out-load}$	I_{out} from min. To max.	--	1	--	%
Hold-on time	T_{on_hold}	Full load, $V_{in}=115Vac$	--	15	--	ms
Turn-on rise time	T_{on_rise}	Cold start, power on	--	--	1500	ms
Ripple & noise	V_{ripple}	--	--	120	200	mVp-p

Protection

Over current	Type: works at over 105%; it will recover automatically after fault condition is removed
Short circuit	Hiccup mode, it will recover automatically after fault condition is removed
Over voltage	Type: 110-150%; Locked mode, it will recover automatically after turn off the power

Environment

Storage	$T_{storage}$	Humidity: 5% RH to 95% RH	-20	--	+75	°C
Ambient operating temperature	T_a	Startup at rated voltage (Required Derating)	-10	--	+70	°C
Operating relative humidity	H_a	Non condensing	20	--	90	%
MTBF	T_{MTBF}	Full load, 230Vac input, 25°C ambient temperature	--	--	200	kHrs
Dimension(LxWxH)	129 x 98 x 38mm					

Safety / EMC

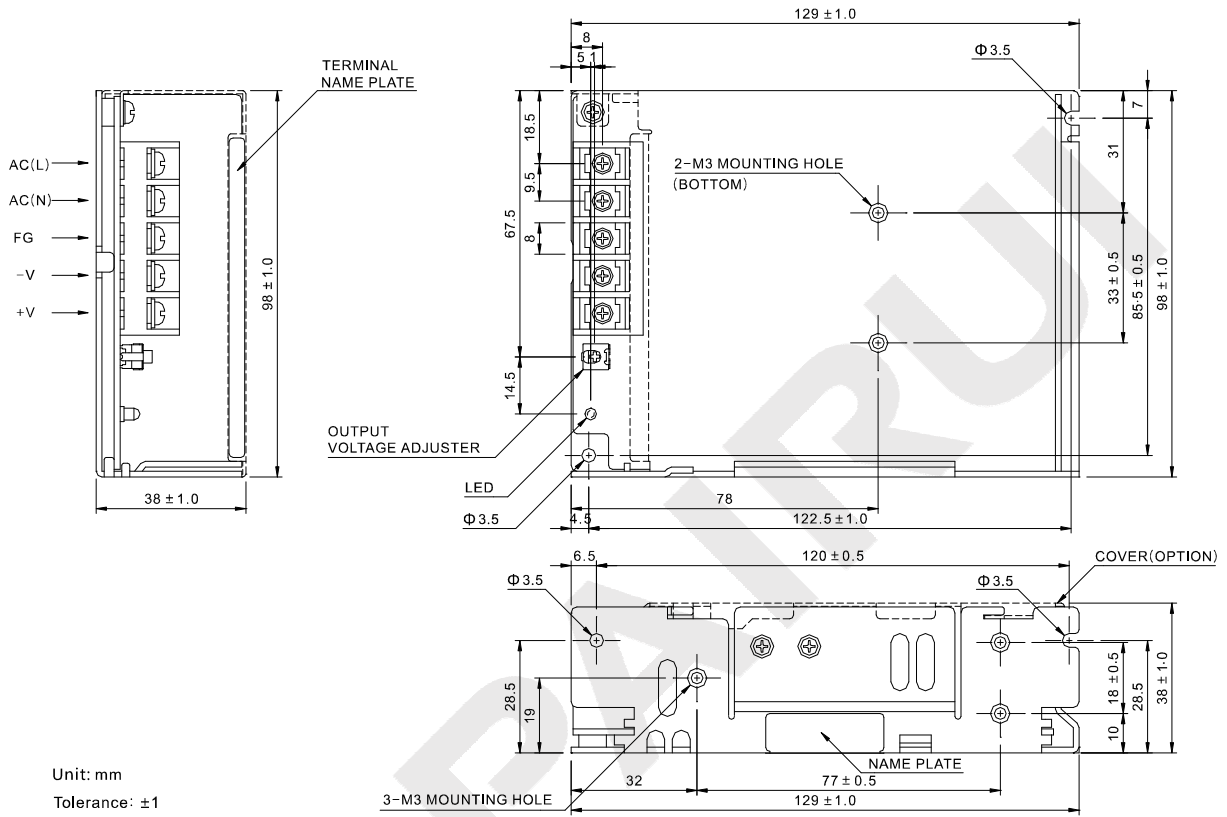
Withstand voltage	I/P-O/P: 3KVac	I/P-FG: 2KVac	O/P-FG: 0.5KVac
Safety standards	UL, C-UL, CE, CB		
EMC	EN55011/EN55022-B FCC-B		

Notes: 1. Rated Load and Rated Input Voltage, $T_a=25^{\circ}C$;

2. Ripple & Noise are measured at 20MHZ of bandwidth by using a 12" twisted pair-wire terminated with a 0.1uf & 47uF parallel capacitor.

NE-75 Series, 75Watt

MECHANICAL



Unit: mm
Tolerance: ± 1