

**ASM-20 Series, 20Watt**
**FEATURES:**

- ✓ Universal AC input range
- ✓ High efficiency
- ✓ Short circuit, and over current protections
- ✓ Board in-line type installation
- ✓ High voltage isolation
- ✓ Plastic case



Model	Input voltage (Vac)	Output voltage (Vdc)	Output current (mA)	Output power (W)
ASM20-5	90-265	5	2500	20
ASM20-9		9	2222	20
ASM20-12		12	1666	20
ASM20-24		24	833	20

Notes: Above models are default to metal case.

**ELECTRICAL**
**Input**

Parameters	Symbols	Test Conditions / Comment	Min.	Typ.	Max.	Units
Input voltage	$V_{in}$	--	90	--	265	Vac
Input frequency	$F_{line}$	--	47	--	63	Hz
Efficiency	$\eta$	$V_{in}=220Vac$ , full load	--	86	--	%

**Output**

Output voltage accuracy	--	$V_{in}=100-240Vac$	--	1	--	%
Line regulation	$V_{out-line}$	$V_{in}$ from 100Vac to 240Vac	--	0.2	--	%
Load regulation	$V_{out-load}$	20%-100% load	--	0.5	--	%

**ASM-20 Series, 20Watt**
**ELECTRICAL**
**Output**

Parameters	Symbols	Test Conditions / Comment	Min.	Typ.	Max.	Units
Ripple	$V_{ripple}$	--	--	1%	--	mVp-p
Turn-on delay time	--	--	--	1	--	S

**Protection**

Over current	Continuous Automatic Recovery					
Short circuit	Continuous Automatic Recovery					

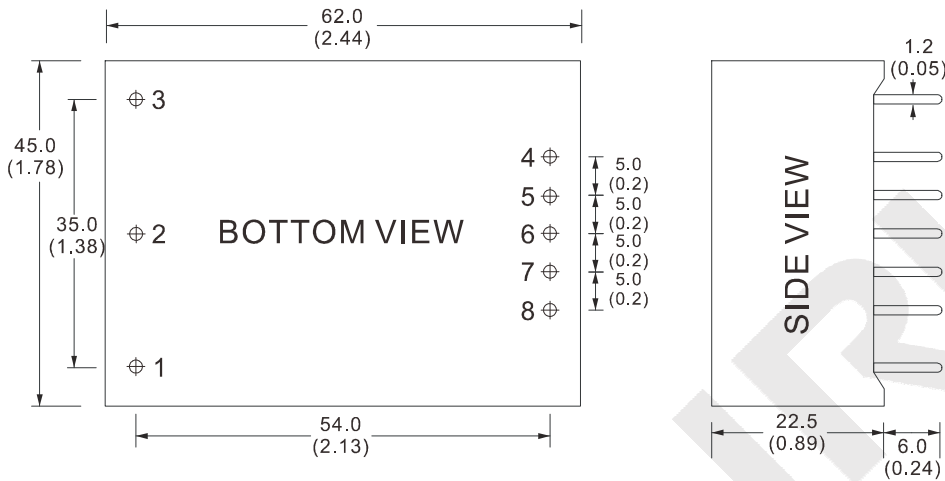
**Environment**

Storage	$T_{storage}$	Humidity: 5% RH to 95% RH	-40	--	+85	°C
Ambient operating temperature	$T_a$	--	-25	--	+70	°C
Case temperature	$T_c$	--	--	--	+90	°C
Operating relative humidity	$H_a$	Non condensing	10	--	90	%
MTBF	$T_{MTBF}$	--	--	--	200	kHrs
Dimension(LxWxH)	62x45x22.5mm					
Weight	100g					

**Safety/EMC**

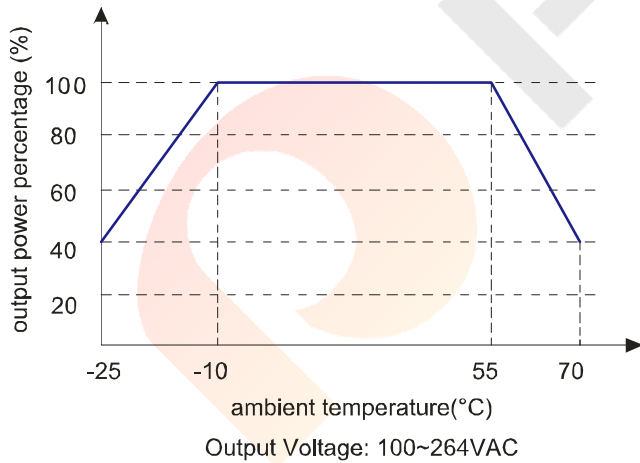
Safety	Design to UL60950-1/EN60950-1					
EMC	CISPR22/EN55022, CLASS B without external components					
Isolation Voltage	Input-Output: 3000Vac $\leq$ 10mA/1min					

**Notes: Unless otherwise specified, all the above parameters are measured at ambient temperature of 25°C and  $V_{in}$  = 220Vac.**

**ASM-20 Series, 20Watt**
**MECHANICAL**

**CONNECTION**

PIN #	SINGLE
1	FG
2	AC(N)
3	AC(L)
4	+Vo
5	No Pin
6	No Pin
7	No Pin
8	GND

Note: Unit is mm(inch).

**TEMPERATURE GRAPH**

**INPUT CURVE**
