

ASM-30 Series, Up to 35Watt
FEATURES:

- ✓ Universal AC input range
- ✓ High efficiency
- ✓ Short circuit, and over current protections
- ✓ Board in-line type installation
- ✓ High voltage isolation
- ✓ Plastic case



Model	Input voltage (Vac)	Output voltage (Vdc)	Output current (mA)	Output power (W)
ASM30-5	90-265	5	4000	25
ASM30-12		12	2500	30
ASM30-24		24	1250	30
ASM35-12		12	2916	35
ASM35-24		24	1460	35

ELECTRICAL
Input

Parameters	Symbols	Test Conditions / Comment	Min.	Typ.	Max.	Units
Input voltage	V_{in}	--	90	--	265	Vac
Input frequency	F_{line}	--	47	--	63	Hz
Leakage current	--	--	--	--	0.75	mA
Efficiency	η	$V_{in}=220Vac$, full load	--	87	--	%

Output

Output voltage Accuracy	--	$V_{in}=100-240Vac$	--	1	--	%
Line regulation	$V_{out-line}$	V_{in} from 100Vac to 240Vac	--	0.2	--	%
Load regulation	$V_{out-load}$	20%-100% load	--	0.5	--	%
Ripple	V_{ripple}	--	--	1%	--	mVp-p

ASM-30 Series, Up to 35Watt
ELECTRICAL
Output

Parameters	Symbols	Test Conditions / Comment	Min.	Typ.	Max.	Units
Turn-on delay time	--	--	--	1	--	S

Protection

Over current	Continuous Automatic Recovery					
Short circuit	Continuous Automatic Recovery					

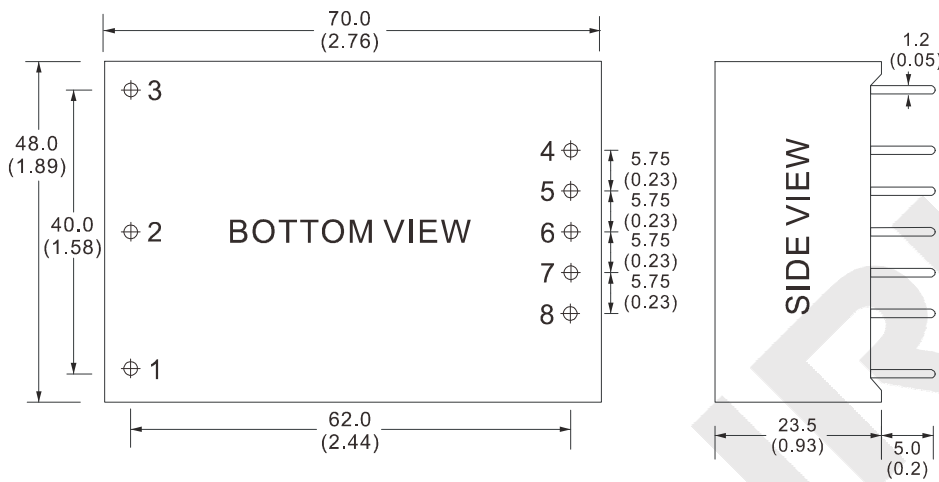
Environment

Storage	$T_{storage}$	Humidity: 5% RH to 95% RH	-40	--	+85	°C
Ambient operating temperature	T_a	--	-25	--	+70	°C
Case temperature	T_c	--	--	--	+90	°C
Operating relative humidity	H_a	Non condensing	10	--	90	%
MTBF	T_{MTBF}	--	--	--	200	kHrs
Dimension(LxWxH)	70x48x23.5mm					
Weight	100g					

Safety/EMC

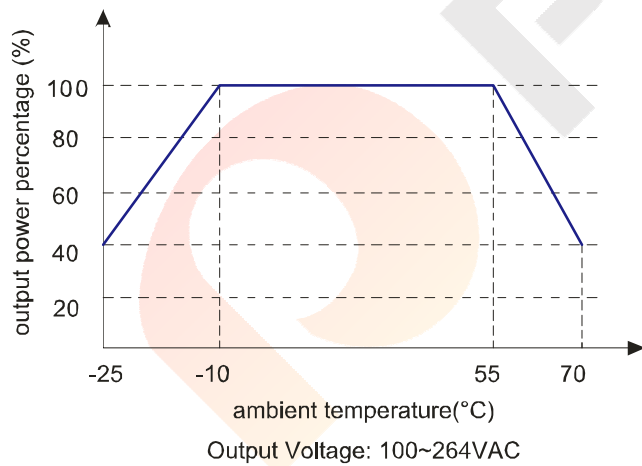
Safety	Design to UL60950-1/EN60950-1					
EMC	CISPR22/EN55022, CLASS B without external components					
Isolation Voltage	Input-Output: 3000Vac \leq 10mA/1min					

Notes: Unless otherwise specified, all the above parameters are measured at ambient temperature of 25°C and Vin = 220Vac.

ASM-30 Series, Up to 35Watt
MECHANICAL

CONNECTION

PIN #	SINGLE
1	FG
2	AC(N)
3	AC(L)
4	+Vo
5	No Pin
6	No Pin
7	No Pin
8	GND

Note: Unit is mm(inch).

TEMPERATURE GRAPH

INPUT CURVE
