



2016-V1.0-0628

Specifications

Constant Current LED Power Supplies

LLMU-60C Series, 60W

PAIRUI ELECTRONICS

No. 545 Museum Road
Yangzhou, Jiangsu
China 225009

Tel: 86 (514) 8279 1592

Fax: 86 (514) 8769 3159

2016

LED Power Supplies for Indoor Use

LLMU-60C SERIES, 60WATT, IP20 RATING

Features

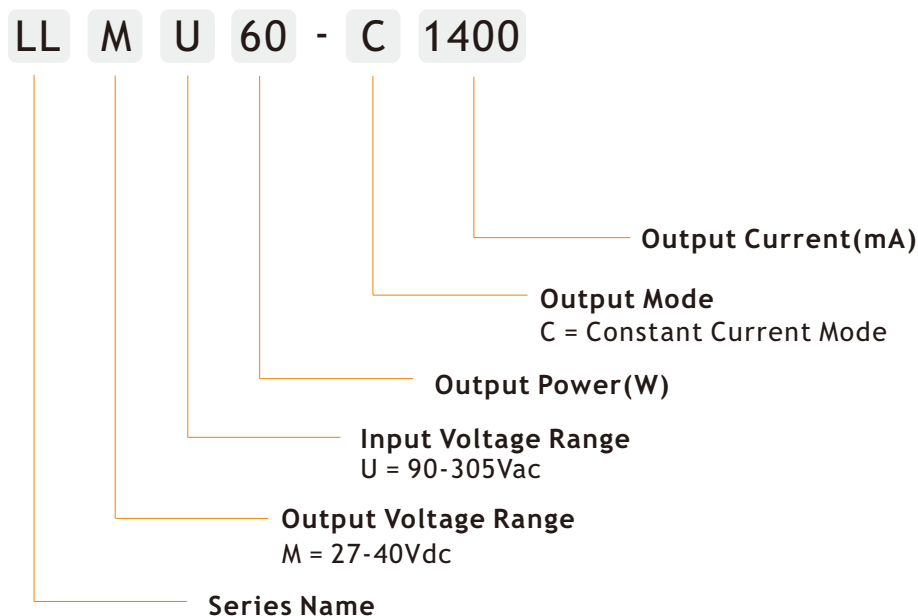
- 3 Year Warranty
- Universal Input Voltage Range: 90~305Vac
- Constant Current Output Mode
- Waterproof Rating IP20
- Can be used for Lighting Equipment in Protection Class I and II
- Short Circuit, Open Circuit Protections
- Built-in Active Power Factor Correction
- No Flickering



Applications

- ✓ Panel Light
- ✓ Cabinet Light
- ✓ Strip Light
- ✓ Other Indoor used Lights
- ✓ Tri-Proof Light

Electrical



Electrical

Part Number	Nominal Input Voltage	Output Current Output Voltage	Power	PF	Ripple	Efficiency	Certificate
LLMU60-C1200	100-277VAC	1200mA(27-40V)	48W	0.9	5%	86%	CE
LLMU60-C1300	100-277VAC	1300mA(27-40V)	52W	0.91	5%	86%	CE
LLMU60-C1400	100-277VAC	1400mA(27-40V)	56W	0.92	5%	86%	CE
LLMU60-C1500	100-277VAC	1500mA(27-40V)	60W	0.92	5%	86%	CE
LLMU60-C1550	100-277VAC	1550mA(27-40V)	62W	0.92	5%	87%	CE

NOTE: Other output models are may available on request.

INPUT

PARAMETER	CONDITIONS	MIN	TYP	MAX	UNITS
Input voltage		90		305	Vac
Input frequency		47		63	Hz
Input current	Full load, Vin=230Vac			0.9	A
Inrush current	Cold start, Vin=230Vac			60	A
Surge voltage	L-N		2		KV
	L-FG		4		KV
	N-FG		4		KV

OUTPUT

PARAMETER	CONDITIONS	MIN	TYP	MAX	UNITS
Output current accuracy			±5		%
Line regulation	Vin from 100Vac to 277Vac		±5		%
Turn-on delay time	Cold start, power on			0.5	S
THD	Output load≥60%			20	%

NOTE: The values are measured at 20MHz of bandwidth by using a 12" twisted pair-wire terminated with 0.1uF & 47uF parallel capacitor under ambient temperature 25°C at rated input voltage and rated load.

Protection

Short circuit	In hiccup mode, it will recover automatically after fault condition is removed
Open circuit	<55V In hiccup mode, it will recover automatically after fault condition is removed

Environment

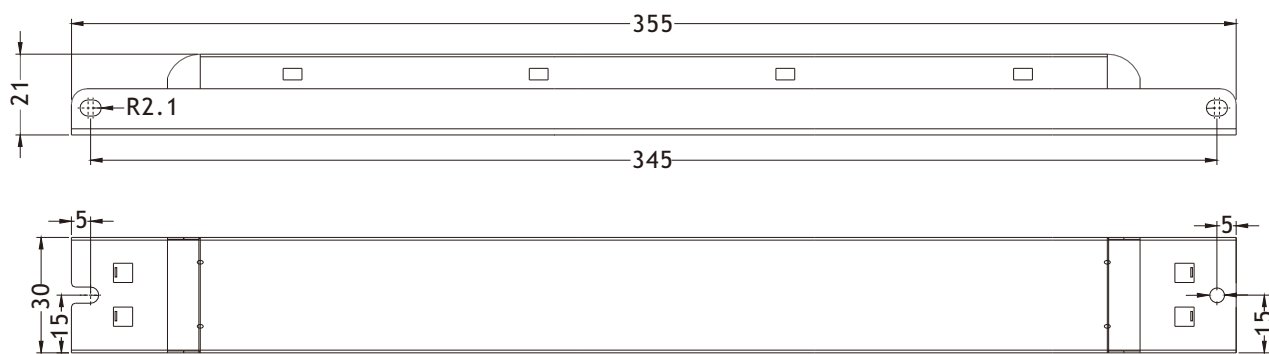
PARAMETER	CONDITIONS	MIN	TYP	MAX	UNITS
Ambient operating temperature	Startup at rated voltage	-30		+50	°C
Operating relative humidity	Non condensing	20		90	%
Storage temperature	Humidity 10 ~ 90% RH	-40		+80	°C
MTBF	Full load, 220Vac input, 25°C ambient temperature	300			Khrs
Waterproof rating	IP20				
Dimension(LxWxH)	355.0 x 30.0 x 21.0mm				
Weight	300g				

Safety/EMC

Withstand voltage	I/P-O/P: 3.75KVac(<5mA, 60S) I/P-FG: 1.6KVac(<5mA, 60S)
Insulation resistance	I/P-O/P: 500VDC(>100mΩ)
Safety	Design refer to EN61347-1, EN61347-2-13
EMC	Compliance to EN55015, EN61000-3-2, EN61000-4-2, 3, 4, 5, 6, 8, 11, EN61547

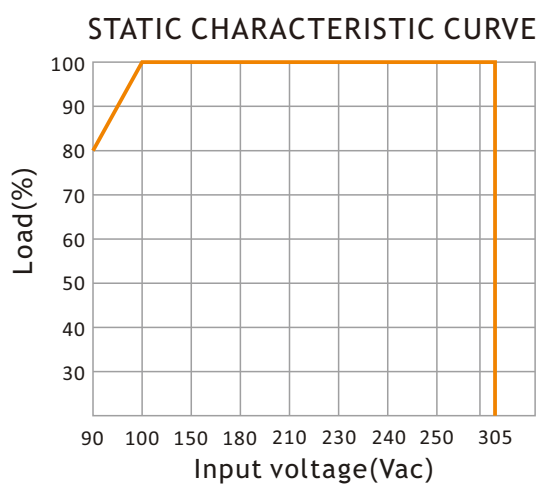
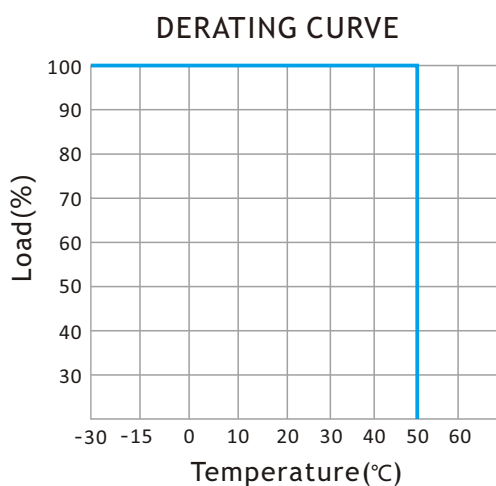
NOTE: Unless otherwise specified, all the above parameters are measured at ambient temperature of 25°C and Vin=100Vac to 277Vac.

Mechanical



Unit: mm

Electrical Curve



Labelling

<p>INPUT</p> <table border="1" style="width: 100%; border-collapse: collapse;"> <tr><td>ACL</td></tr> <tr><td>ACN</td></tr> <tr><td>NC</td></tr> <tr><td>GND</td></tr> </table> <p style="font-size: 8px;">0.5-1mm □</p>	ACL	ACN	NC	GND	<p>PAIRUI LED DRIVER LLMU60-C1500</p>	<table border="1" style="width: 100%; border-collapse: collapse;"> <tr><td>Uin: 100-240V~</td><td>In: 0.36A</td></tr> <tr><td colspan="2" style="text-align: center;">277V~(for North America only)</td></tr> <tr><td>Frequency: 50/60Hz</td><td>I rated: 1500mA(CC)</td></tr> <tr><td>Output Voltage: 27-40V ≈</td><td>P rated: 60W</td></tr> <tr><td>Uout: 52V ≈</td><td>tc: 75°C</td></tr> <tr><td>PF: 0.94</td><td>ta: -25°C~ +50°C</td></tr> </table>	Uin: 100-240V~	In: 0.36A	277V~(for North America only)		Frequency: 50/60Hz	I rated: 1500mA(CC)	Output Voltage: 27-40V ≈	P rated: 60W	Uout: 52V ≈	tc: 75°C	PF: 0.94	ta: -25°C~ +50°C	<p>FOR LED MODULES ONLY</p> <p> </p> <p>MADE IN CHINA</p>	<p>Preparation for input and output</p> <p>3mm</p> <p>OUTPUT</p> <table border="1" style="width: 100%; border-collapse: collapse;"> <tr><td>LED+</td></tr> <tr><td>LED-</td></tr> </table> <p style="font-size: 8px;">0.5-1.5mm □</p>	LED+	LED-
ACL																						
ACN																						
NC																						
GND																						
Uin: 100-240V~	In: 0.36A																					
277V~(for North America only)																						
Frequency: 50/60Hz	I rated: 1500mA(CC)																					
Output Voltage: 27-40V ≈	P rated: 60W																					
Uout: 52V ≈	tc: 75°C																					
PF: 0.94	ta: -25°C~ +50°C																					
LED+																						
LED-																						

Symbol	Description
	Short-circuit-proof with safety insulation
	WEEE Mark(Wasted Electrical and Electronic Equipment)
SELV	Safety Extra Low Voltage
	For Indoor Use
	CE Mark