



2016-V1.0-0715

Specifications

Constant Voltage LED Power Supplies

LSU-35V Series, 35W

PAIRUI ELECTRONICS

No. 545 Museum Road
Yangzhou, Jiangsu
China 225009

Tel: 86 (514) 8279 1592

Fax: 86 (514) 8769 3159

2016

LED Power Supplies for Indoor Use

LSU-35V SERIES, 35WATT, IP30 RATING

Features

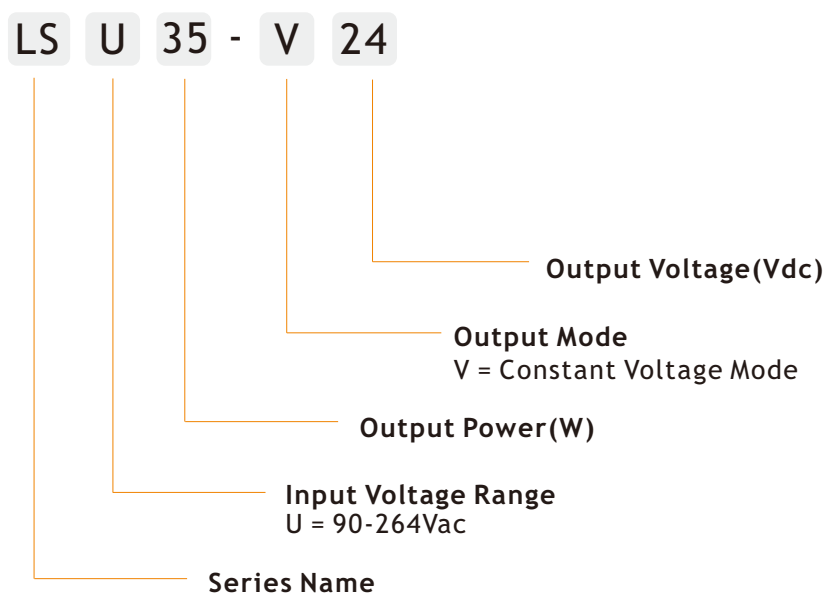
- 2 Year Warranty
- Universal Input Voltage Range: 90~264Vac
- Constant Voltage Output Mode
- Waterproof Rating IP30
- 100% Burn-in Test
- Class II Power, no FG
- Short Circuit, and Over Voltage Protection



Applications

- ✓ Panel Light
- ✓ Down Light
- ✓ Recessed Light
- ✓ Electronic Screen
- ✓ Other Indoor used Lights

Electrical



Electrical

Part Number	Nominal Input Voltage	Output Voltage Output Current	Efficiency	Ripple	Certificate
LSU35-V5	100-240VAC	5V(0-5A)	75%	5%	CE
LSU35-V12	100-240VAC	12V(0-3A)	82%	5%	CE
LSU35-V15	100-240VAC	15V(0-2.4A)	78%	5%	CE
LSU35-V24	100-240VAC	24V(0-1.5A)	84%	5%	CE
LSU35-V36	100-240VAC	36V(0-1A)	86%	5%	CE

NOTE: Other output models are may available on request.

INPUT

PARAMETER	CONDITIONS	MIN	TYP	MAX	UNITS
Input voltage		90		264	Vac
Input frequency		47		63	Hz
Input current	Full load, Vin=115Vac Full load, Vin=230Vac		0.75 0.5		A A
Inrush current	Cold start, Vin=230Vac			45	A
Surge voltage	L-N		2		KV

OUTPUT

PARAMETER	CONDITIONS	MIN	TYP	MAX	UNITS
Output voltage accuracy			5		%
Line regulation	Vin from 100Vac to 240Vac		±3		%
Load regulation	Vout from min. to max.		±3		%
Output current overshoot	Turning on			10	%
Turn-on delay time	Cold start, power on		2		S
Ripple	Please refer to below measuring method		5%Vo		mVp-p

NOTE: The values are measured at 20MHz of bandwidth by using a 12" twisted pair-wire terminated with 0.1uF & 47uF parallel capacitor under ambient temperature 25°C at rated input voltage and rated load.

Protection

Short circuit	In hiccup mode, it will recover automatically after fault condition is removed
Over voltage	115-135% Vout, the driver shall return to normal operation after the power is turn-on again

Environment

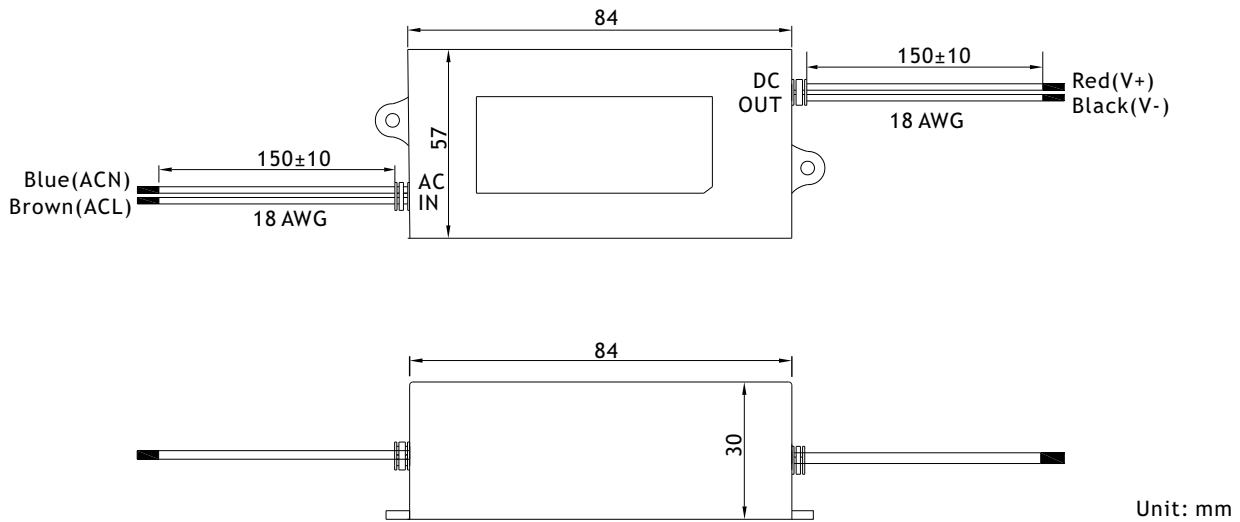
PARAMETER	CONDITIONS	MIN	TYP	MAX	UNITS
Ambient operating temperature	Startup at rated voltage (Derating required)	-25		+70	°C
Operating relative humidity	Non condensing	20		90	%
Storage temperature	Humidity 10 ~ 95% RH	-40		+80	°C
Maximum case temperature	Hot-spot on case			+75	°C
MTBF	Full load, 220Vac input, 25°C ambient temperature	200			Khrs
Waterproof rating	IP30				
Dimension(LxWxH)	84.0 x 57.0 x 30.0mm				
Weight	150g				

Safety/EMC

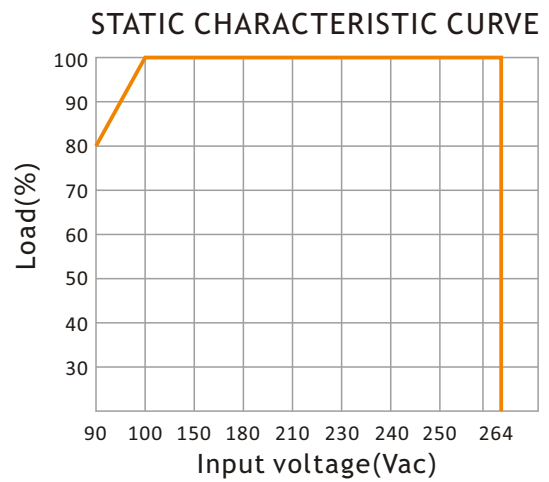
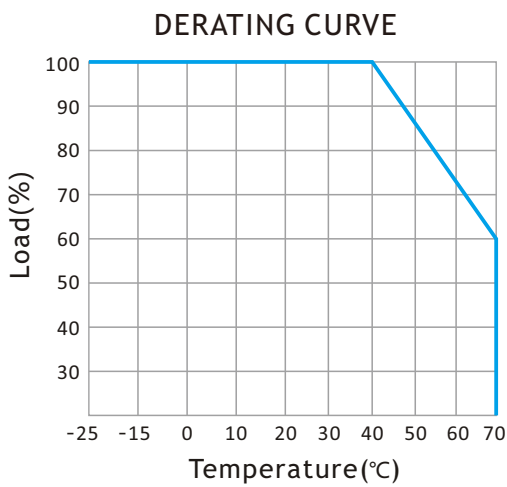
Safety	Design refer to EN61347-1, EN61347-2-13
EMC	Compliance to EN55022, EN61000-3-2 Class A, EN61000-3-3, EN55024, EN61000-4-2, 3, 4, 5, 6, 8, 11

NOTE: Unless otherwise specified, all the above parameters are measured at ambient temperature of 25°C and Vin=100Vac to 240Vac.

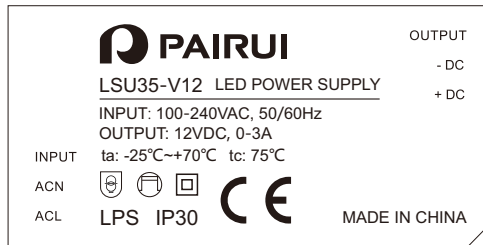
Mechanical






Electrical Curve



Labelling



Symbol	Description
	Short-circuit-proof with safety insulation
IP30	Type of protection(IP30 for indoor use)
	Double insulation(The device is designed to be used in class II equipments and does not need any protection earth)
LPS	Limited Power Source
	Independent Operation
CE	CE Mark