



2016-V1.0-0716

Specifications

Constant Voltage LED Power Supplies

LFU-100V Series, 100W

PAIRUI ELECTRONICS

No. 545 Museum Road
Yangzhou, Jiangsu
China 225009

Tel: 86 (514) 8279 1592

Fax: 86 (514) 8769 3159

2016

LED Power Supplies for Outdoor Use

LFU-100V SERIES, 100WATT, IP67 RATING

Features

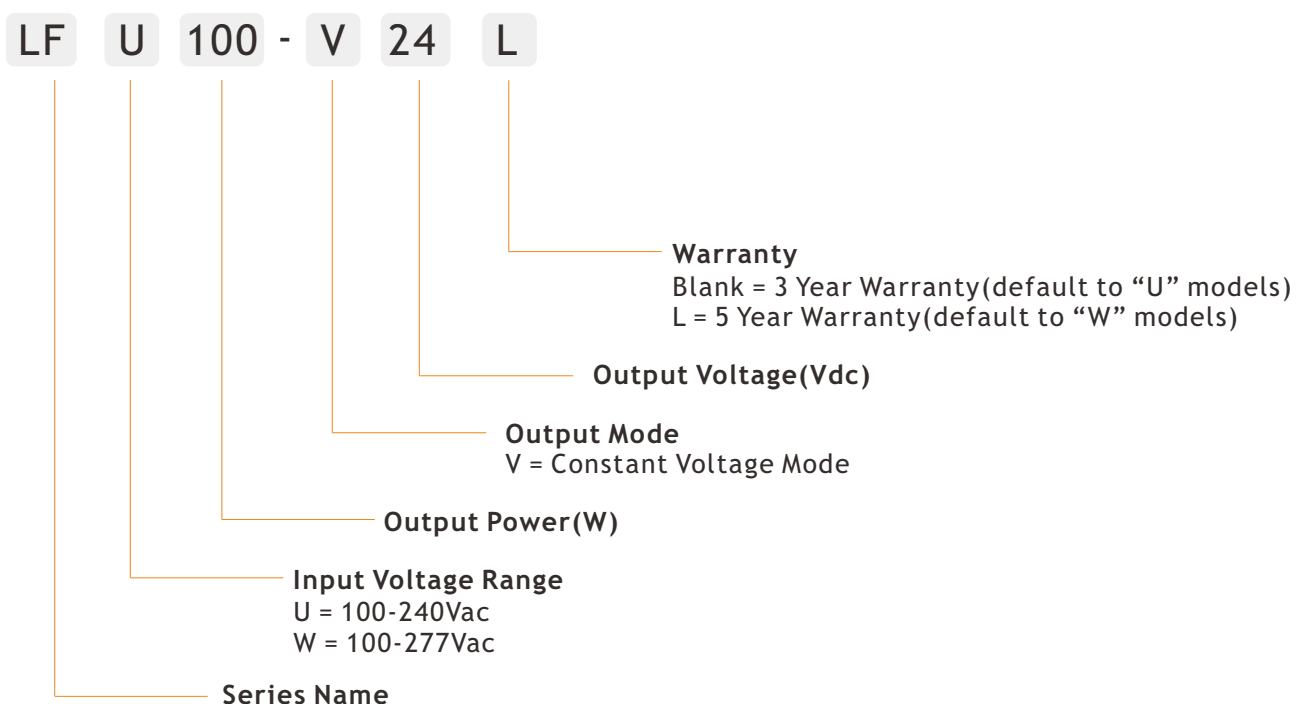
- 3 or 5 Year Warranty
- Universal Input Voltage Range: 100~240Vac / 100~277Vac
- Constant Voltage Output Mode
- Waterproof Rating IP67
- Built-in Active Power Factor Correction
- Class II Power, no FG
- All Round Protections: Short Circuit, Over Voltage, Over Current, Over Temperature



Applications

- ✓ Garden Light
- ✓ Landscape Light
- ✓ Stage Light
- ✓ Cabinet Light
- ✓ Other Indoor and Outdoor used Lights

Electrical



Electrical

Part Number	Nominal Input Voltage	Output Voltage Output Current	Output Voltage Accuracy	Ripple	Efficiency	Certificate
LFU100-V12 LFW100-V12L	100-240VAC 100-277VAC	12V(0-7A)	±5%	5%	85%	CE
LFU100-V15 LFW100-V15L	100-240VAC 100-277VAC	15V(0-6.7A)	±5%	5%	86%	CE
LFU100-V24 LFW100-V24L	100-240VAC 100-277VAC	24V(0-4.2A)	±5%	5%	89%	CE
LFU100-V36 LFW100-V36L	100-240VAC 100-277VAC	36V(0-2.8A)	±5%	5%	89%	CE
LFU100-V48 LFW100-V48L	100-240VAC 100-277VAC	48V(0-2.1A)	±5%	5%	90%	CE

NOTE:1. Other output models are may available on request;
 2. Above models are suitable for indoor or outdoor environment without direct sunlight exposure, avoid immerse in the water for more than 30 minutes.

INPUT

PARAMETER	CONDITIONS	MIN	TYP	MAX	UNITS
Input frequency		47		63	Hz
Input current	Full load, Vin=230Vac		1.2		A
Inrush current	Cold start, Vin=230Vac			50	A
Power factor(PF)	Full load, Vin=230Vac		0.95		
Surge voltage	L-N		2		KV

OUTPUT

PARAMETER	CONDITIONS	MIN	TYP	MAX	UNITS
Output voltage accuracy			5		%
Line regulation	Vin from 100Vac to 240(277)Vac		2		%
Load regulation	Vout from min. to max.		3		%
Turn-on delay time	Cold start, power on		1000		ms
Ripple	Please refer to below measurement method		5%Vo		mVp-p
THD	Output load≥60%			20	%

NOTE: The values are measured at 20MHz of bandwidth by using a 12" twisted pair-wire terminated with 0.1uF & 47uF parallel capacitor under ambient temperature 25°C at rated input voltage and rated load.

Protection

Short circuit	In hiccup mode, it will recover automatically after fault condition is removed
Over voltage	110-150% Vout, it will recover automatically after fault condition is removed
Over current	In hiccup mode, it will recover automatically after fault condition is removed
Over temperature	In hiccup mode, it will recover automatically after fault condition is removed

Environment

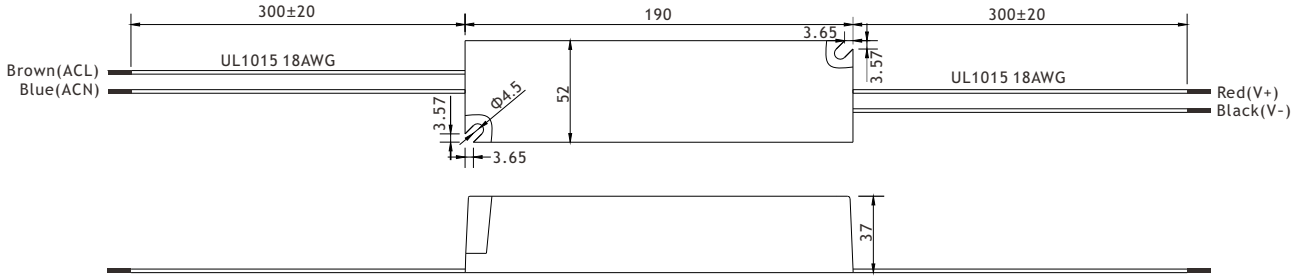
PARAMETER	CONDITIONS	MIN	TYP	MAX	UNITS
Ambient operating temperature	Startup at rated voltage (Derating required)	-25		+70	°C
Operating relative humidity	Non condensing	20		90	%
Storage temperature	Humidity 10 ~ 95% RH	-40		+80	°C
Maximum case temperature	Hot-spot on case			+75	°C
MTBF	Full load, 220Vac input, 25°C ambient temperature	200			Khrs
Waterproof rating	IP67				
Dimension(LxWxH)	190.0 x 52.0 x 37.0mm				
Weight	630g				

Safety/EMC

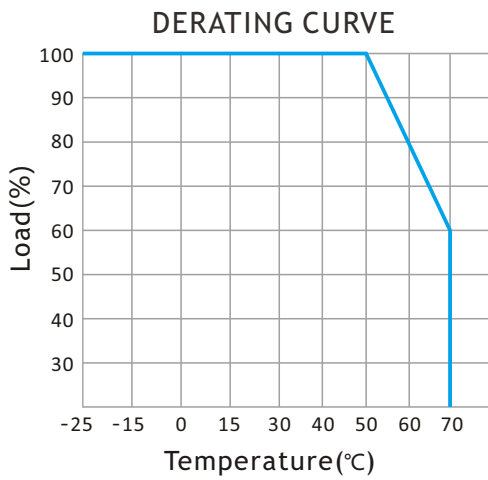
Safety	Design refer to UL8750, EN61347, EN61347-2-13
EMC	Compliance to EN55015, FCC Part 15 Class B, EN61000-3-2, EN61000-3-3, EN61000-4-2, 3, 4, 6, 8, 11, EN61547

NOTE: Unless otherwise specified, all the above parameters are measured at ambient temperature of 25°C and Vin=100Vac to 240(277)Vac.

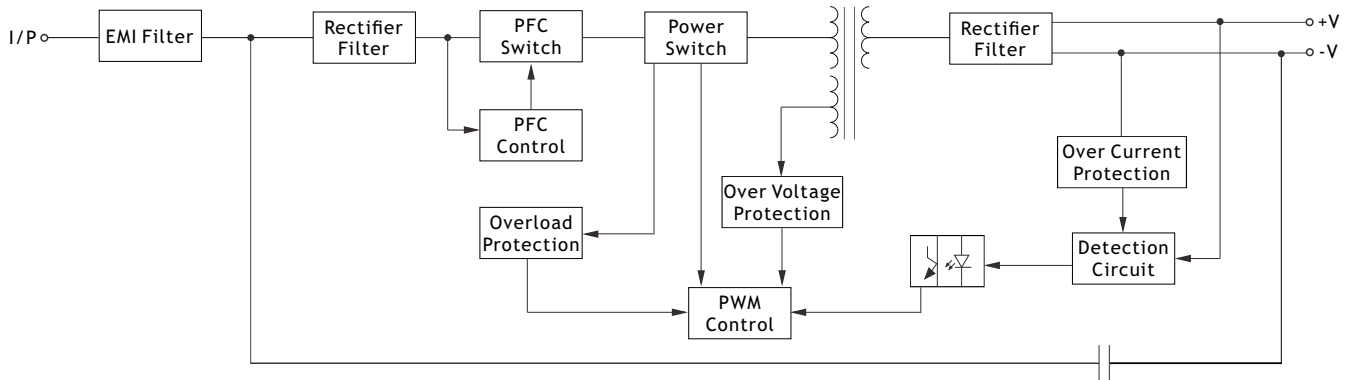
Mechanical



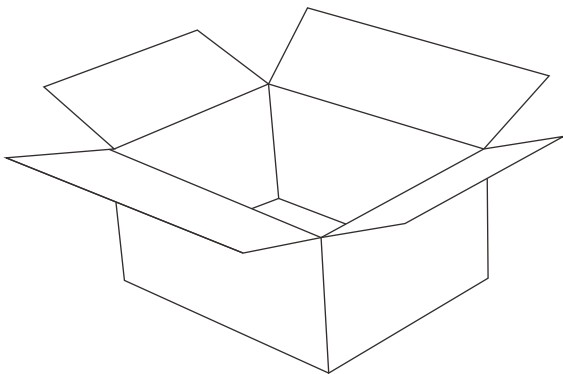
Electrical Curve



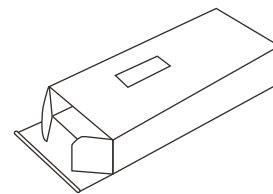
Block Diagram



Package



Outer Carton
L 330 x W 290 x H 280mm






Inner Box
L 205 x W 70 x H 35mm

SERIES	QTY/BOX	QTY/CARTON	NET WEIGHT	GROSS WEIGHT	VOLUME
LFU-100V	1 piece	32 boxes	20.2kg/carton	22kg/carton	0.03CBM/carton

Labelling



Symbol	Description
	Short-circuit-proof with safety insulation
IP67	Type of protection(IP67 for indoor and outdoor use)
	Double insulation(The device is designed to be used in class II equipments and does not need any protection earth)
SELV	Safety Extra Low Voltage
	CE Mark