



2017-V1.0-0314

# Specifications

---

**Constant Current LED Power Supplies**

**LZU-25C Series, 25W**

**PAIRUI ELECTRONICS**

No. 545 Museum Road  
Yangzhou, Jiangsu  
China 225009

Tel: 86 (514) 8279 1592

Fax: 86 (514) 8769 3159

**2017**

# LED Power Supplies for Indoor Use

## LZU-25C SERIES, 25WATT, IP20 RATING

### Features

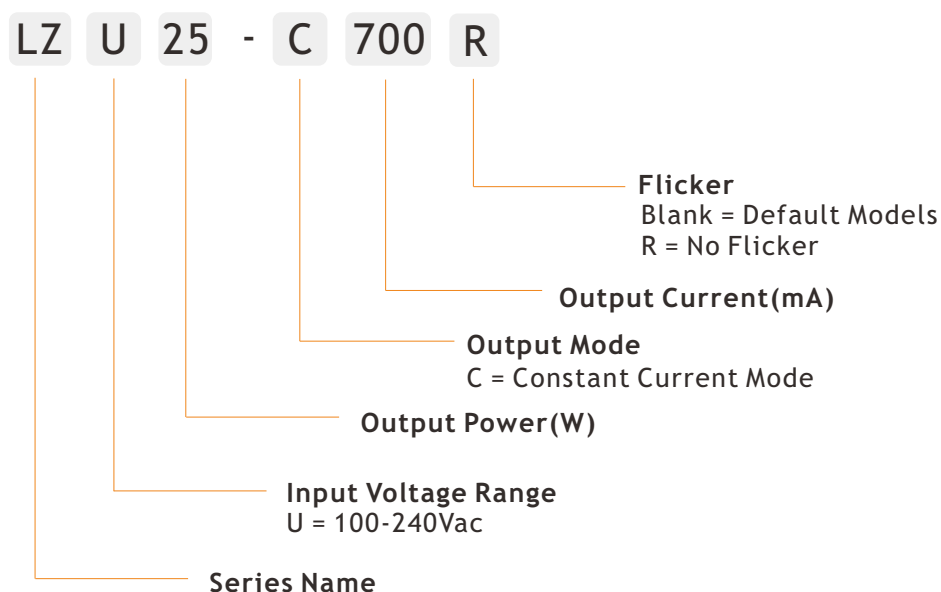
- 3 Year Warranty
- Universal Input Voltage Range: 100~240Vac
- Constant Current Output Mode
- Waterproof Rating IP20
- Built-in Active Power Factor Correction
- Class II Power, no FG
- Short Circuit, Over Voltage, and Over Current Protections



### Applications

- ✓ Panel Light
- ✓ Down Light
- ✓ Recessed Light
- ✓ Cabinet Light
- ✓ Other Indoor used Lights

### Electrical



## Electrical

Part Number	Nominal Input Voltage	Output Current Output Voltage	No Load Output Voltage	Ripple	Efficiency	Certificate
LZU25-C350	100-240VAC	350mA(50-72V)	79V	5%/50%	89%	CE
LZU25-C500	100-240VAC	500mA(35-50V)	55V	5%/50%	88%	CE
LZU25-C700	100-240VAC	700mA(25-36V)	40V	5%/50%	87%	CE
LZU25-C1050	100-240VAC	1050mA(17-24V)	26V	50%	87%	CE

**NOTE:**

1. Other output models are may available on request;
2. Add suffix “R” for No Flicker and Low Ripple(5%) models [except LZU25-C1050].

INPUT

PARAMETER	CONDITIONS	MIN	TYP	MAX	UNITS
Input frequency		47		63	Hz
Input current	Full load, Vin=110Vac Full load, Vin=220Vac		0.25 0.13		A A
Inrush current	Cold start, Vin=230Vac			25	A
Power factor(PF)	Full load, Vin=110Vac Full load, Vin=220Vac		0.96 0.92		
Surge voltage	L-N		2		KV

**OUTPUT**

PARAMETER	CONDITIONS	MIN	TYP	MAX	UNITS
Output current accuracy			5		%
Line regulation	Vin from 100Vac to 240Vac		3		%
Load regulation	Vout from min. to max.		3		%
Output current overshoot	Turning on			10	%
Turn-on delay time	Cold start, power on(220Vac)			1	S
Ripple (Refer to below note)	Default Models No Flicker(with suffix “R”)		50%Io 5%Io		mAp-p mAp-p
THD	Output load≥60%			20	%

NOTE: The values are measured at 20MHz of bandwidth by using a 12" twisted pair-wire terminated with 0.1uF & 47uF parallel capacitor under ambient temperature 25°C at rated input voltage and rated load.

**Protection**

Short circuit	In hiccup mode, it will recover automatically after fault condition is removed
Over voltage	110-150% Vout, it will recover automatically after fault condition is removed
Over current	In hiccup mode, it will recover automatically after fault condition is removed

## Environment

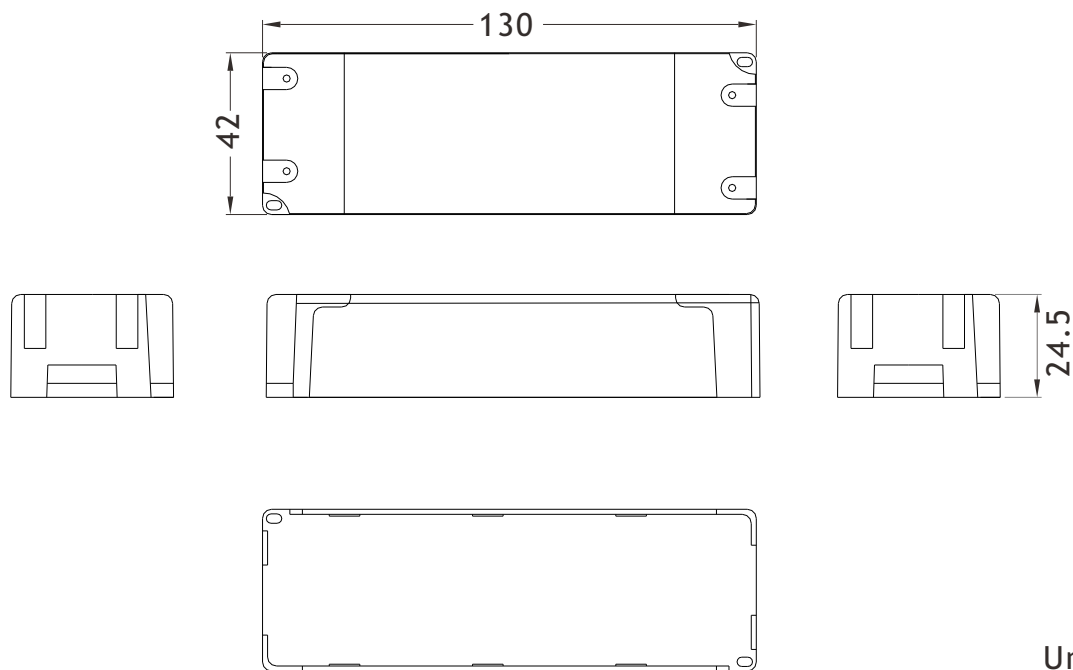
PARAMETER	CONDITIONS	MIN	TYP	MAX	UNITS
Ambient operating temperature	Startup at rated voltage	-20		+50	°C
Operating relative humidity	Non condensing	20		90	%
Storage temperature	Humidity 10 ~ 95% RH	-40		+80	°C
MTBF	Full load, 220Vac input, 25°C ambient temperature	200			Khrs
Waterproof rating	IP20				
Dimension(LxWxH)	130.0 x 42.0 x 24.5mm				
Weight	120g				

## Safety/EMC

Safety	Design refer to EN61347-1, EN61347-2-13
EMC	Compliance to EN55015, FCC Part 15 Class B, EN61000-3-2, EN61000-3-3, EN61000-4-2, 3, 4, 5, 6, 8, 11, EN61547

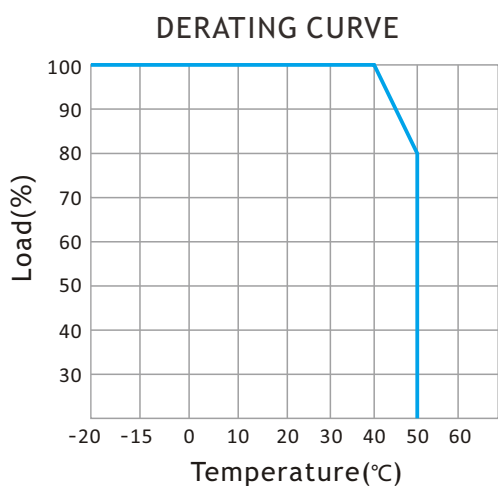
NOTE: Unless otherwise specified, all the above parameters are measured at ambient temperature of 25°C and Vin=100Vac to 240Vac.

### Mechanical










Unit: mm

### Electrical Curve



## Labelling

	
INPUT	LZU25-C350 LED POWER SUPPLY OUTPUT
ACN	INPUT: 100-240VAC, 50/60Hz + DC
ACL	OUTPUT: 350mA, 50-72VDC - DC
	ta: -25°C~+50°C tc: 75°C
IP20	   MADE IN CHINA

Symbol	Description
	Short-circuit-proof with safety insulation
IP20	Type of protection(IP20 for indoor use)
	Double insulation(The device is designed to be used in class II equipments and does not need any protection earth)
	CE Mark