



2017-V1.0-0415

# Specifications

---

**Constant Current LED Power Supplies**

**LV Series, 20~30W**

**PAIRUI ELECTRONICS**

No. 545 Museum Road  
Yangzhou, Jiangsu  
China 225009

Tel: 86 (514) 8279 1592

Fax: 86 (514) 8769 3159

**2017**

# LED Power Supplies for Indoor Use

## LV SERIES, 20~30WATT, IP20 RATING

### Features

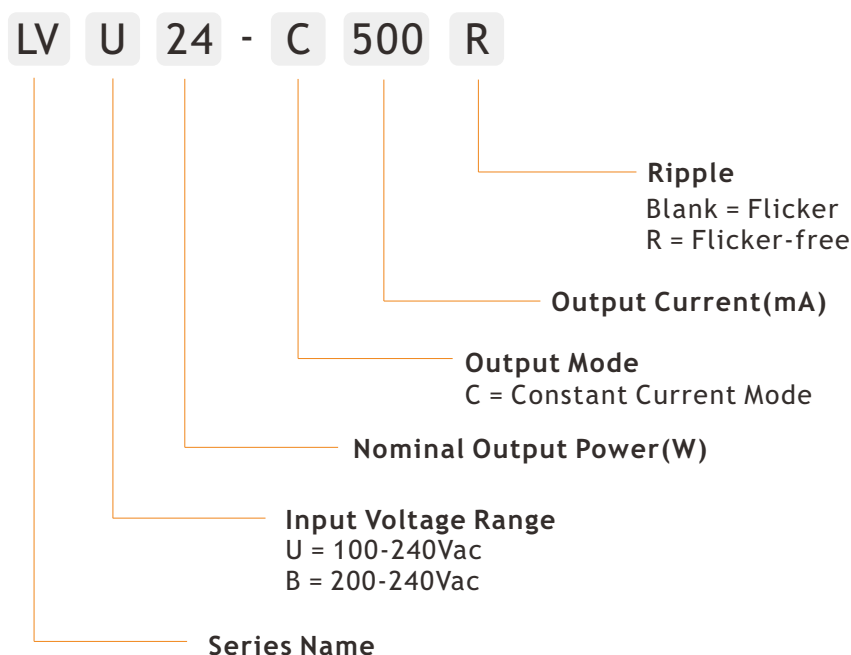
- 3 Year Warranty
- Wide Input Voltage Range: 100~240Vac or High Input Voltage Range: 200-240Vac
- Constant Current Output Mode
- Waterproof Rating IP20
- Built-in Active Power Factor Correction
- Short Circuit, Over Voltage, and Over Current Protections
- Class II Power, no FG



### Applications

- ✓ Panel Light
- ✓ Down Light
- ✓ Recessed Light
- ✓ Cabinet Light
- ✓ Other Indoor used Lights

### Electrical



## Electrical

Part Number	Nominal Input Voltage	Output Current Output Voltage	No Load Output Voltage	Ripple	Certificate
LVU24-C400 LVB24-C400	100-240VAC 200-240VAC	400mA(27-42V)	48V	50%/5%	CE
LVU24-C450 LVB24-C450	100-240VAC 200-240VAC	450mA(27-42V)	48V	50%/5%	CE
LVU24-C500 LVB24-C500	100-240VAC 200-240VAC	500mA(27-42V)	48V	50%/5%	CE
LVU24-C550 LVB24-C550	100-240VAC 200-240VAC	550mA(40-55V)	60V	50%/5%	CE
LVU24-C600 LVB24-C600	100-240VAC 200-240VAC	600mA(40-55V)	60V	50%/5%	CE

**NOTE:**

1. Other output models are may available on request;
2. Add suffix "R" for flicker-free models.

**INPUT**

PARAMETER	CONDITIONS	MIN	TYP	MAX	UNITS
Input voltage	LVU24-Cxxx LVB24-Cxxx	100 200		240 240	Vac Vac
Input frequency		47		63	Hz
Input current	Full load, Vin=110Vac Full load, Vin=220Vac		0.3 0.15		A A
Inrush current	Cold start, Vin=230Vac			25	A
Power factor(PF)	Full load, Vin=110Vac Full load, Vin=220Vac		0.98 0.95		
Efficiency	Full load, Vin=110Vac Full load, Vin=220Vac		86 88		% %
Surge voltage	L-N		2		KV

**OUTPUT**

PARAMETER	CONDITIONS	MIN	TYP	MAX	UNITS
Output current accuracy			5		%
Line regulation	Vin from 100Vac(200Vac) to 240Vac		5		%
Load regulation	Vout from min. to max.		5		%
Output current overshoot	Turning on			10	%
Turn-on delay time	Cold start, power on		2		S
Ripple	Default models Suffix "R" models		50%Io 5%Io		mAp-p mAp-p
THD	Full load, Vin=220Vac			15	%

**Protection**

Short circuit	In hiccup mode, it will recover automatically after fault condition is removed
Over voltage	110-150% Vout, it will recover automatically after fault condition is removed
Over current	In hiccup mode, it will recover automatically after fault condition is removed

## Environment

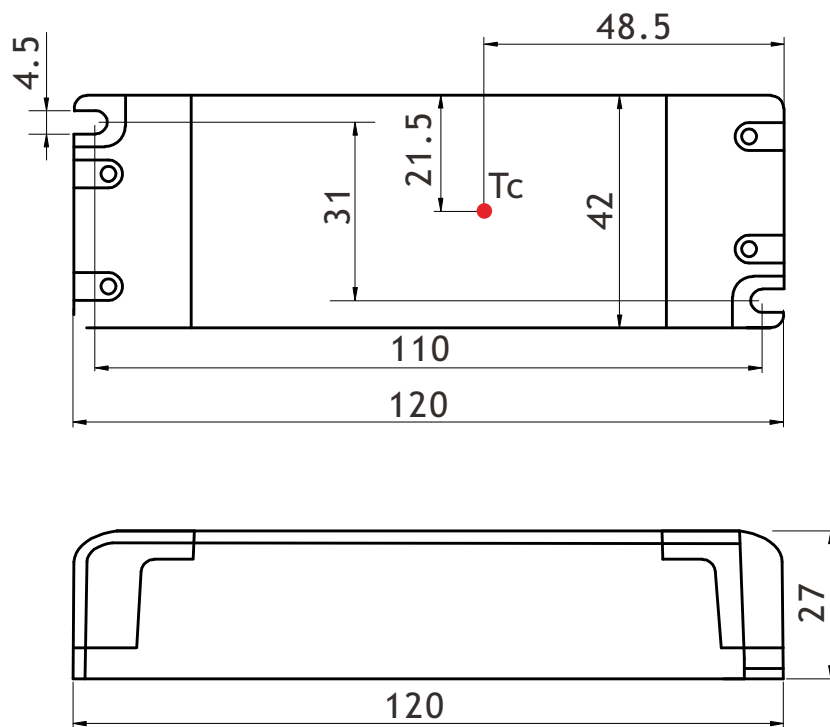
PARAMETER	CONDITIONS	MIN	TYP	MAX	UNITS
Ambient operating temperature	Startup at rated voltage	-25		+50	°C
Operating relative humidity	Non condensing	20		90	%
Storage temperature	Humidity 10 ~ 95% RH	-40		+80	°C
Maximum case temperature	Hot-spot on case			+75	°C
MTBF	Full load, 220Vac input, 25°C ambient temperature	400			Khrs
Waterproof rating	IP20				
Dimension(LxWxH)	120.0 x 42.0 x 27.0mm				
Weight	120g				

## Safety/EMC

Safety	Design refer to EN61347-1, EN61347-2-13
EMC	Compliance to EN55015, FCC Part 15 Class B, EN61000-3-2, EN61000-3-3, EN61000-4-2, 3, 4, 5, 6, 8, 11, EN61547

NOTE: Unless otherwise specified, all the above parameters are measured at ambient temperature of 25°C and Vin=100Vac(200Vac) to 240Vac.

### Mechanical



Unit: mm

### Electrical Curve

