



2017-V1.0-0415

Specifications

Constant Current LED Power Supplies

LV Series, 25~45W

PAIRUI ELECTRONICS

No. 545 Museum Road
Yangzhou, Jiangsu
China 225009

Tel: 86 (514) 8279 1592

Fax: 86 (514) 8769 3159

2017

LED Power Supplies for Indoor Use

LV SERIES, 25~45WATT, IP20 RATING

Features

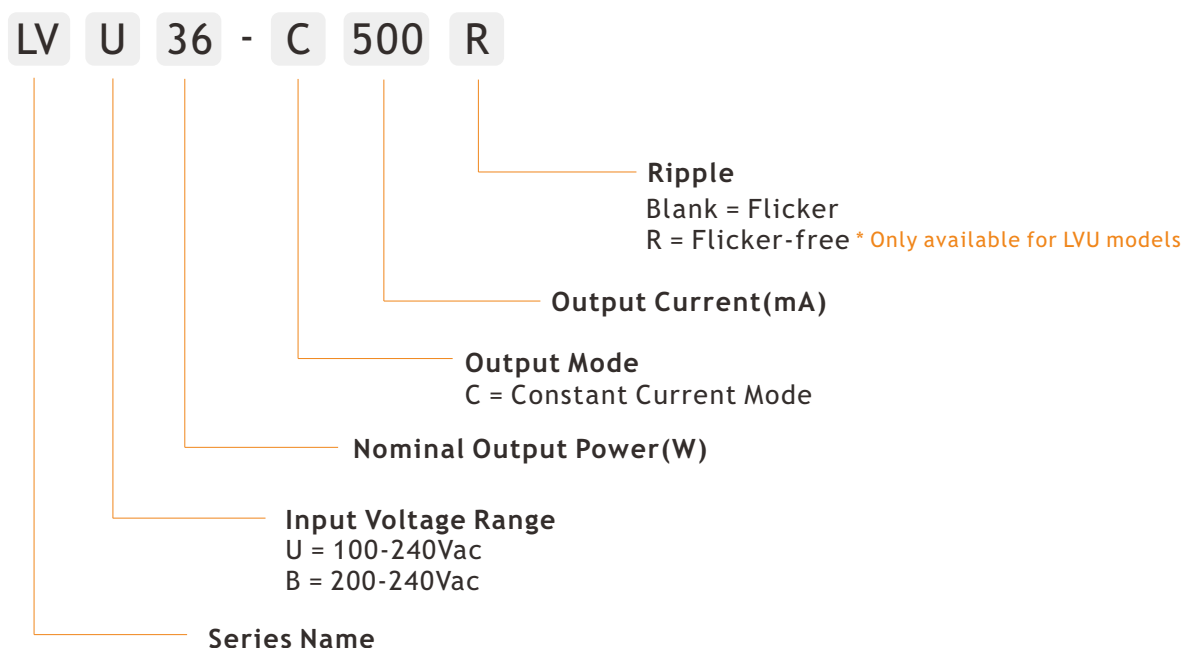
- 3 Year Warranty
- Wide Input Voltage Range: 100~240Vac or High Input Voltage Range: 200-240Vac
- Constant Current Output Mode
- Waterproof Rating IP20
- Built-in Active Power Factor Correction
- Short Circuit, Over Voltage, and Over Current Protections
- Class II Power, no FG



Applications

- ✓ Panel Light
- ✓ Down Light
- ✓ Recessed Light
- ✓ Cabinet Light
- ✓ Other Indoor used Lights

Electrical



Electrical

Part Number	Nominal Input Voltage	Output Current Output Voltage	No Load Output Voltage	Ripple	Certificate
25~36W					
LVU36-C750 LVB36-C750	100-240VAC 200-240VAC	750mA(27-42V)	48V	50%/5%	CE
LVU36-C800 LVB36-C800	100-240VAC 200-240VAC	800mA(27-42V)	48V	50%/5%	CE
LVU36-C850 LVB36-C850	100-240VAC 200-240VAC	850mA(27-42V)	48V	50%/5%	CE
LVU36-C450 LVB36-C450	100-240VAC 200-240VAC	450mA(40-55V)	60V	50%/5%	CE
LVU36-C500 LVB36-C500	100-240VAC 200-240VAC	500mA(40-55V)	60V	50%/5%	CE
LVU36-C550 LVB36-C550	100-240VAC 200-240VAC	550mA(40-55V)	60V	50%/5%	CE
LVU36-C600 LVB36-C600	100-240VAC 200-240VAC	600mA(40-55V)	60V	50%/5%	CE
36~45W					
LVU45-C900 LVB45-C900	100-240VAC 200-240VAC	900mA(27-42V)	48V	50%/5%	CE
LVU45-C1000 LVB45-C1000	100-240VAC 200-240VAC	1000mA(27-42V)	48V	50%/5%	CE
LVU45-C1050 LVB45-C1050	100-240VAC 200-240VAC	1050mA(27-42V)	48V	50%/5%	CE
LVU45-C650 LVB45-C650	100-240VAC 200-240VAC	650mA(40-55V)	60V	50%/5%	CE
LVU45-C700 LVB45-C700	100-240VAC 200-240VAC	700mA(40-55V)	60V	50%/5%	CE
LVU45-C750 LVB45-C750	100-240VAC 200-240VAC	750mA(40-55V)	60V	50%/5%	CE
LVU45-C800 LVB45-C800	100-240VAC 200-240VAC	800mA(40-55V)	60V	50%/5%	CE

NOTE:

1. Other output models are may available on request;
2. Add suffix "R" for flicker-free models, only available for LVU models.

INPUT

PARAMETER	CONDITIONS	MIN	TYP	MAX	UNITS
Input voltage	LVU36/45-Cxxx LVB36/45-Cxxx	100 200		240 240	Vac Vac
Input frequency		47		63	Hz
Input current	Full load, Vin=110Vac Full load, Vin=220Vac		0.5 0.25		A A
Inrush current	Cold start, Vin=230Vac			25	A
Power factor(PF)	Full load, Vin=110Vac Full load, Vin=220Vac		0.98 0.95		
Efficiency	Full load, Vin=110Vac Full load, Vin=220Vac		87 89		% %
Surge voltage	L-N		2		KV

OUTPUT

PARAMETER	CONDITIONS	MIN	TYP	MAX	UNITS
Output current accuracy			5		%
Line regulation	Vin from 100Vac(200Vac) to 240Vac		5		%
Load regulation	Vout from min. to max.		5		%
Output current overshoot	Turning on			10	%
Turn-on delay time	Cold start, power on		2		S
Ripple	Default models Suffix "R" models		50%Io 5%Io		mAp-p mAp-p
THD	Full load, Vin=220Vac			15	%

Protection

Short circuit	In hiccup mode, it will recover automatically after fault condition is removed
Over voltage	110-150% Vout, it will recover automatically after fault condition is removed
Over current	In hiccup mode, it will recover automatically after fault condition is removed

Environment

PARAMETER	CONDITIONS	MIN	TYP	MAX	UNITS
Ambient operating temperature	Startup at rated voltage	-25		+50	°C
Operating relative humidity	Non condensing	20		90	%
Storage temperature	Humidity 10 ~ 95% RH	-40		+80	°C
Maximum case temperature	Hot-spot on case			+75	°C
MTBF	Full load, 220Vac input, 25°C ambient temperature	400			Khrs
Waterproof rating	IP20				
Dimension(LxWxH)	LVU36/45-Cxxx: 140.0 x 47.0 x 28.5mm LVB36/45-Cxxx: 120.0 x 42.0 x 27.0mm				
Weight	LVU36/45-Cxxx: 150g LVB36/45-Cxxx: 120g				

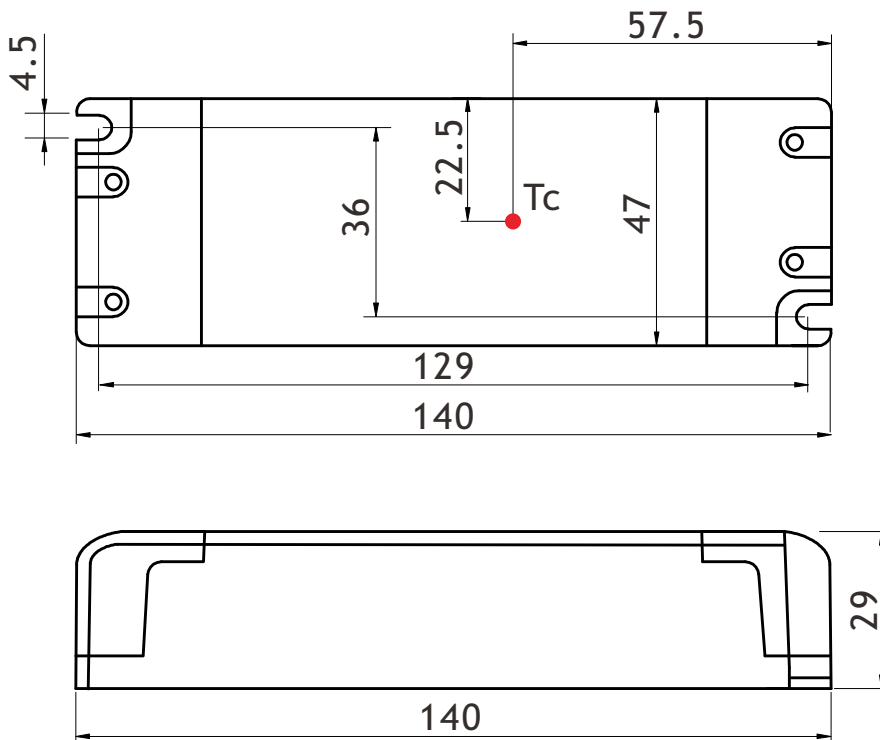
Safety/EMC

Safety	Design refer to EN61347-1, EN61347-2-13
EMC	Compliance to EN55015, FCC Part 15 Class B, EN61000-3-2, EN61000-3-3, EN61000-4-2, 3, 4, 5, 6, 8, 11, EN61547

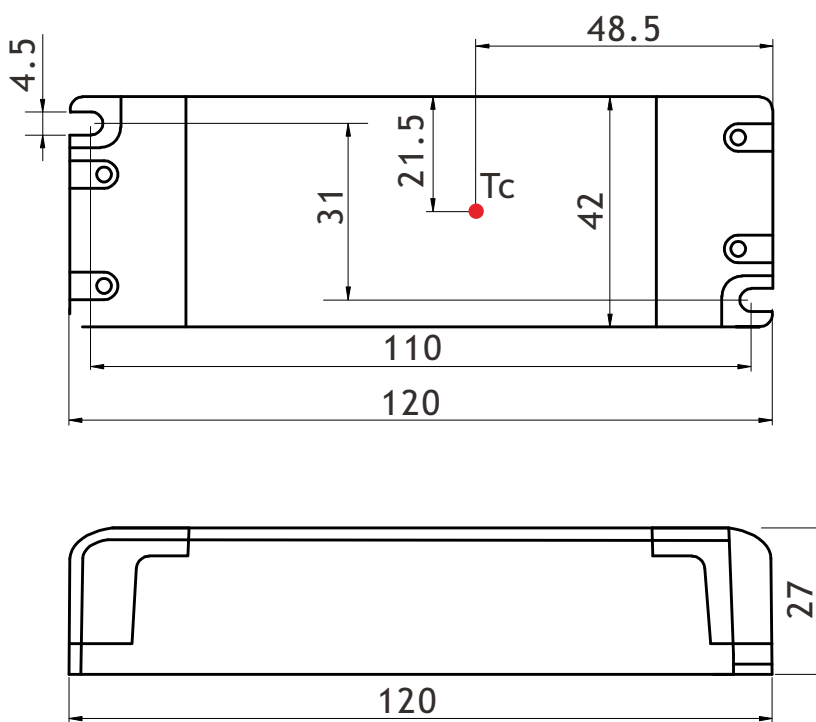
NOTE: Unless otherwise specified, all the above parameters are measured at ambient temperature of 25°C and Vin=100Vac(200Vac) to 240Vac.

Mechanical

LVU36/45-Cxxx



LVB36/45-Cxxx



Unit: mm

Electrical Curve

