



2017-V1.0-0715

Specifications

Constant Current LED Power Supplies

LNS-20C Series, 20W

PAIRUI ELECTRONICS

No. 545 Museum Road
Yangzhou, Jiangsu
China 225009

Tel: 86 (514) 8279 1592

Fax: 86 (514) 8769 3159

2017

LED Power Supplies for Indoor Use

LNS-20C SERIES, 20WATT, IP30 RATING

Features

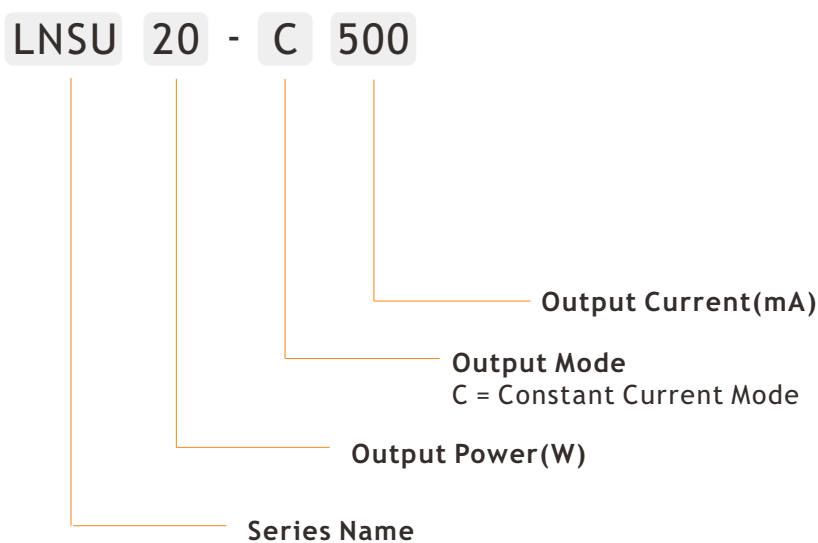
- 5 Year Warranty
- Input Voltage Range: 108~132Vac
- Constant Current Output Mode
- TRIAC Dimming
- Built-in Active Power Factor Correction
- Class II Power, no FG
- Short Circuit, and Over Temperature Protections



Applications

- ✓ Panel Light
- ✓ Down Light
- ✓ Recessed Light
- ✓ Cabinet Light
- ✓ Other Indoor used Lights

Electrical



Electrical

Part Number	Nominal Input Voltage	Output Current Output Voltage	Ripple	Efficiency	Certificate
LNSU20-C350	120VAC(±10%)	350mA(48-56V)	6%	80%	UL
LNSU20-C450-1	120VAC(±10%)	450mA(27-36V)	6%	80%	
LNSU20-C450	120VAC(±10%)	450mA(30-42V)	6%	80%	
LNSU20-C480	120VAC(±10%)	480mA(30-39V)	6%	80%	
LNSU20-C500	120VAC(±10%)	500mA(30-38V)	6%	80%	UL
LNSU20-C550	120VAC(±10%)	550mA(27-34V)	6%	80%	
LNSU20-C600	120VAC(±10%)	600mA(24-34V)	6%	80%	
LNSU20-C700	120VAC(±10%)	700mA(16-22V)	6%	80%	UL
LNSU20-C900	120VAC(±10%)	900mA(15-21V)	6%	80%	

NOTE: Other output models are may available on request.

INPUT

PARAMETER	CONDITIONS	MIN	TYP	MAX	UNITS
Input frequency		47		63	Hz
Input current (Full load, Vin=120Vac)	LNSU20-C450-1			0.19	A
	LNSU20-C450			0.21	A
	LNSU20-C480			0.21	A
	LNSU20-C500			0.22	A
	LNSU20-C550			0.22	A
	LNSU20-C600			0.24	A
	LNSU20-C700			0.2	A
	LNSU20-C900			0.23	A
Inrush current	Cold start, Vin=120Vac			28	A
Leakage current	Vin=120Vac			1.5	mA
Power factor(PF)	Full load, Vin=120Vac	0.9			
THD	Output load≥60%			20	%

OUTPUT

PARAMETER	CONDITIONS	MIN	TYP	MAX	UNITS
Output current regulation			±5		%
Output dimming range		10		100	%
Start time	Vin=120Vac at rated load			1000	ms
Ripple			6%Io		mAp-p

Protection

Short circuit	Current limit protection
No load voltage	Vo max. ~ 110%Vo max.
Over power	The driver always works within a safe working area power curve
Over temperature	Yes
No load protection	Yes

Environment

PARAMETER	CONDITIONS	MIN	TYP	MAX	UNITS
Operating temperature	Startup at rated voltage	-30		+50	°C
Operating relative humidity	Non condensing	20		95	%
Storage temperature	Humidity 10 ~ 95% RH	-40		+80	°C
MTBF	Calculated to MIL-HDBK217F at 25 DEG C. rated load	200			Khrs
Life rating	Measured at 120VAC, full load, 80° C	50			Khrs
Maximum case temperature	85°C				
Temperature coefficient	±0.03%/°C(0~50°C)				
Application	For dry and damp location				
Dimming type	Phase-cut TRIAC dimming				
Dimming range	10%~100%				
Dimension	LNSU20-Cxxx: 76.0 x 44.0 x 28.0mm(LxWxH) LNSU20-Cxxx-1: φ 70x30mm(φ xH)				

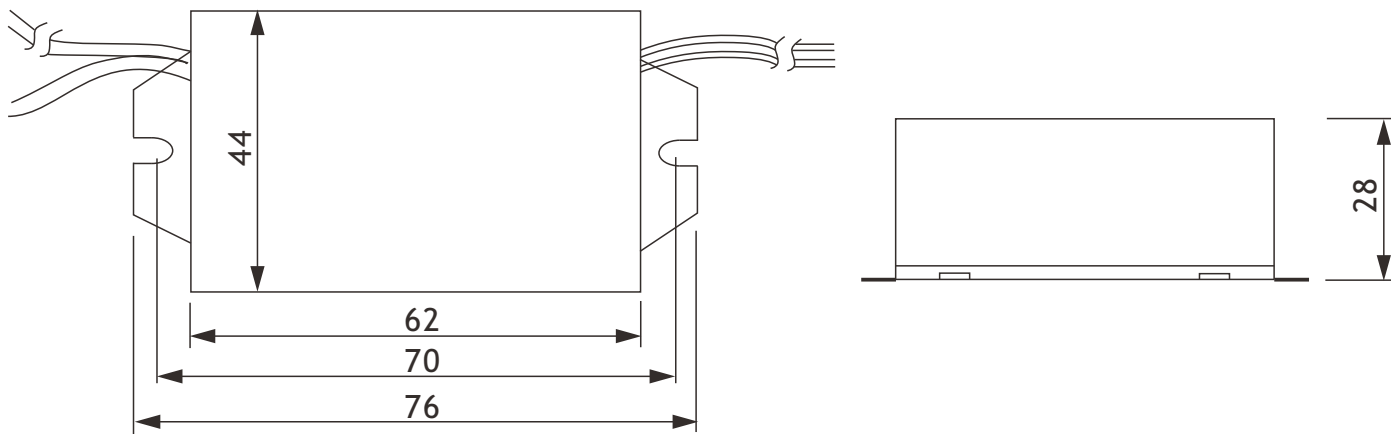
Safety/EMC

Safety	Design refer to UL8750 Class 2, UL1310;CSA C22.2 No. 250.13-12
EMC	Compliance to FCC Part 15 Class B, EN 61547/1995+A1/2000

NOTE: Unless otherwise specified, all the above parameters are measured at ambient temperature of 25°C and Vin=120Vac.

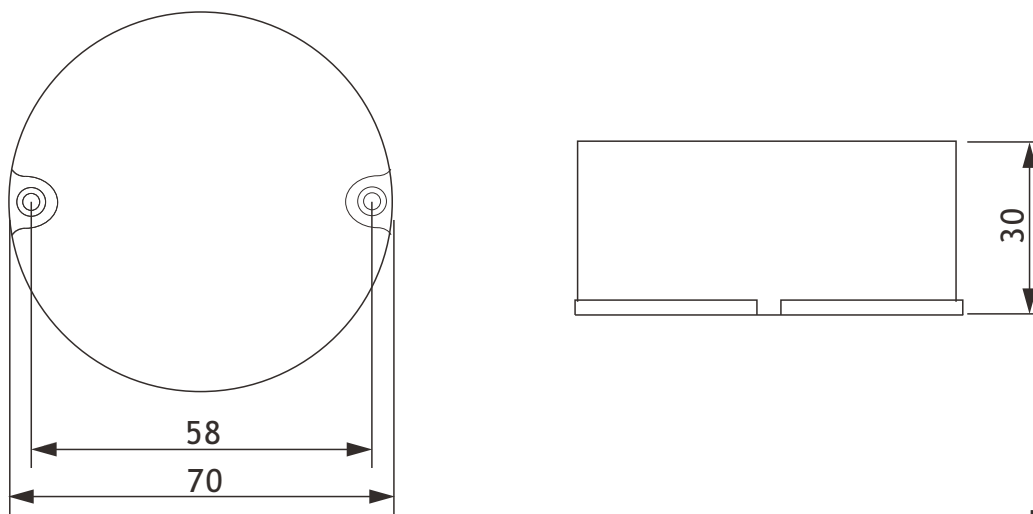
Mechanical

LNSU20-Cxxx



Unit: mm

LNSU20-Cxxx-1

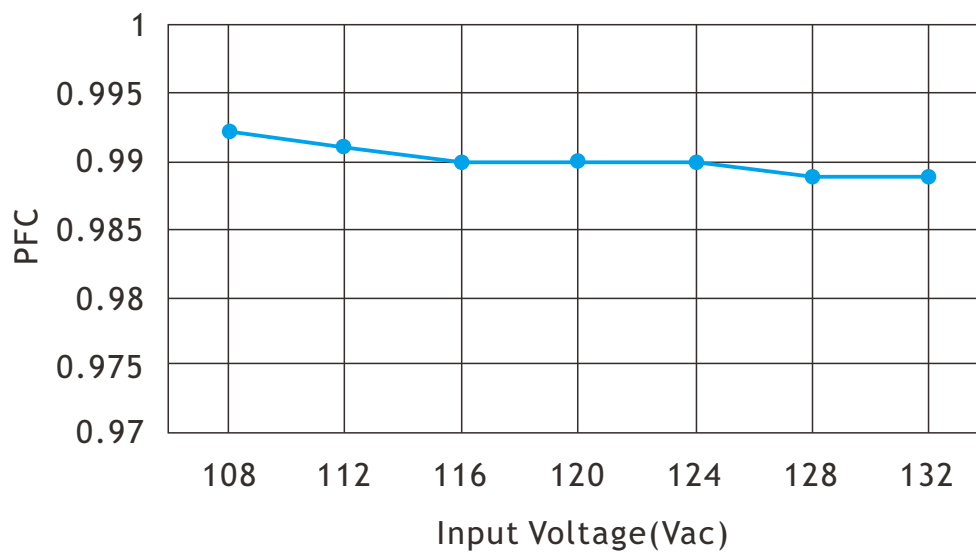


Unit: mm

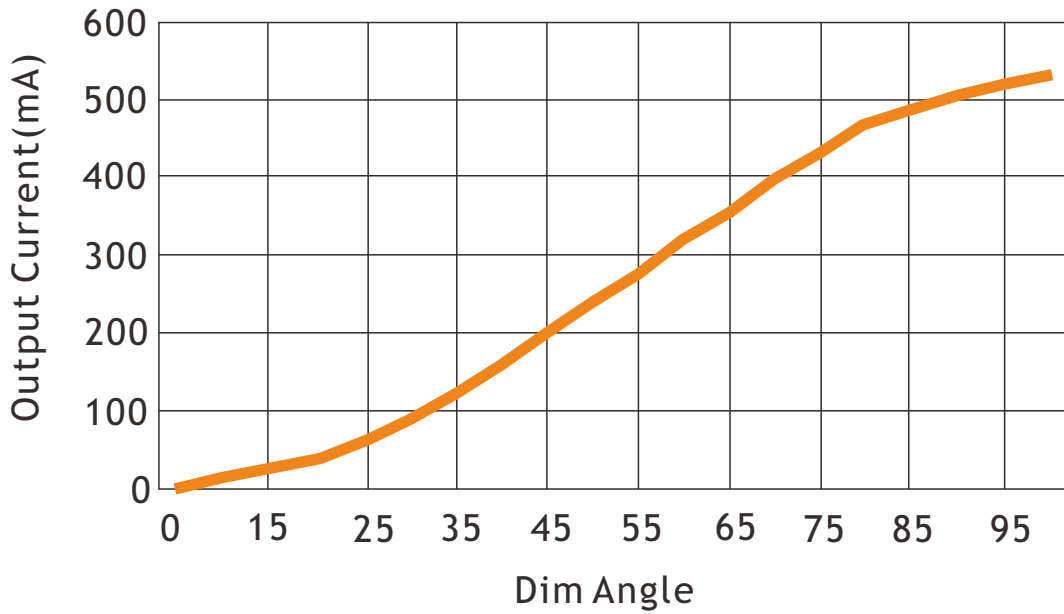
Wire Connection



Electrical Curve



Dimming



Recommended Dimmer List:

Brand	Model No.
LUTRON	DVCL-153PL
LUTRON	CTCL-153P
LEVITON	IPL06
LEVITON	S-603P

