



2019-V2.0-0314

Specifications

Constant Current LED Power Supplies
LT Series, 24W

PAIRUI ELECTRONICS

No. 545 Museum Road
Yangzhou, Jiangsu
China 225009

Tel: 86 (514) 8279 1592

Fax: 86 (514) 8769 3159

2019

LED Power Supplies for Indoor Use

LT SERIES, 24WATT, IP20 RATING

Features

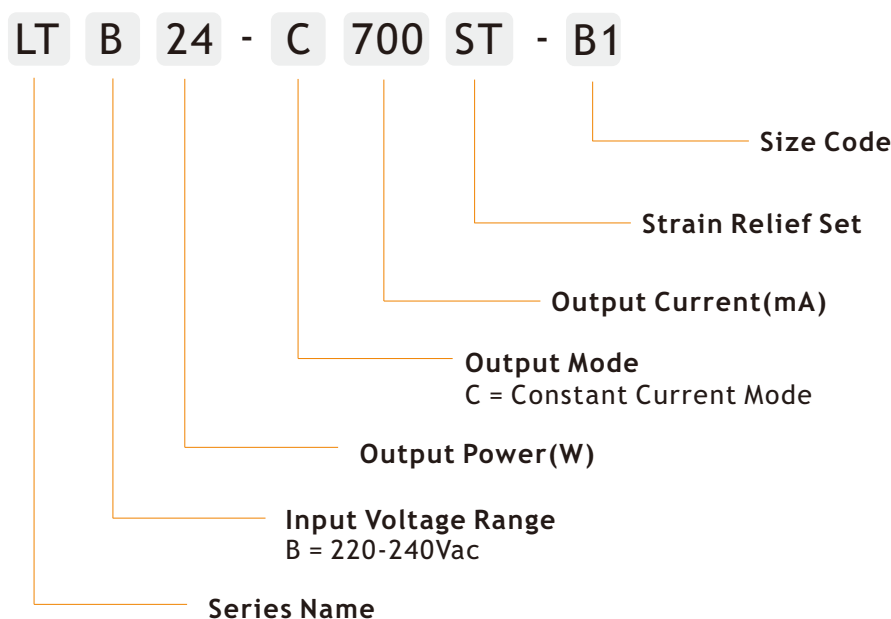
- 3 Year Warranty
- High Input Voltage Range: 220~240Vac
- Constant Current Output Mode
- Waterproof Rating IP20
- Built-in Active Power Factor Correction
- Short Circuit, Over Voltage, and Over Temperature Protections
- Low Ripple, High Power Density, High Conversion Efficiency



Applications

- ✓ Panel Light
- ✓ Down Light
- ✓ Recessed Light
- ✓ Cabinet Light
- ✓ Other Indoor used Lights

Electrical



Electrical

Part Number	Nominal Input Voltage	Output Current Output Voltage	No Load Voltage	Ripple Current	Efficiency (220V)	Certificate
LTB24-C200-B1	220-240VAC	200mA(50-76V)	85V	≤10%	88%	–
LTB24-C250-B1	220-240VAC	250mA(50-76V)	85V	≤10%	88%	–
LTB24-C300-B1	220-240VAC	300mA(40-55V)	60V	≤10%	88%	CE
LTB24-C350-B1	220-240VAC	350mA(40-55V)	60V	≤10%	88%	CE
LTB24-C400-B1	220-240VAC	400mA(27-42V)	48V	≤10%	88%	CE
LTB24-C450-B1	220-240VAC	450mA(27-42V)	48V	≤10%	88%	CE
LTB24-C500-B1	220-240VAC	500mA(27-42V)	48V	≤10%	88%	CE
LTB24-C550-B1	220-240VAC	550mA(27-42V)	48V	≤10%	88%	CE
LTB24-C600-B1	220-240VAC	600mA(27-42V)	48V	≤10%	88%	CE

NOTE: Other output models are may available on request.

INPUT

PARAMETER	CONDITIONS	MIN	TYP	MAX	UNITS
Input frequency		47		63	Hz
Input current	Full load, Vin=220Vac		0.15		A
Inrush current	Cold start, Vin=230Vac			25	A
Power factor(PF)	Full load, Vin=220Vac		0.93		
Surge voltage	L-N		2		KV

OUTPUT

PARAMETER	CONDITIONS	MIN	TYP	MAX	UNITS
Output current accuracy			±5		%
Line regulation	Vin from 220Vac to 240Vac		±3		%
Load regulation	Vout from min. to max.		±3		%
Output current overshoot	Turning on			10	%
Turn-on delay time	Cold start, power on		1000		ms
Ripple	Please refer to below measuring method		See page 2		mAp-p
THD	Full load, Vin=220Vac			20	%

NOTE: The values are measured at 20MHz of bandwidth by using a 12" twisted pair-wire terminated with 0.1uF & 47uF parallel capacitor under ambient temperature 25°C at rated input voltage and rated load.

Protection

Short circuit	In hiccup mode, it will recover automatically after fault condition is removed
Over voltage	The output voltage exceeds the rated range, it will cannot be loaded
Over temperature	120°C-160°C, shut-off output voltage, it will recover automatically after the temperature back to normal

Environment

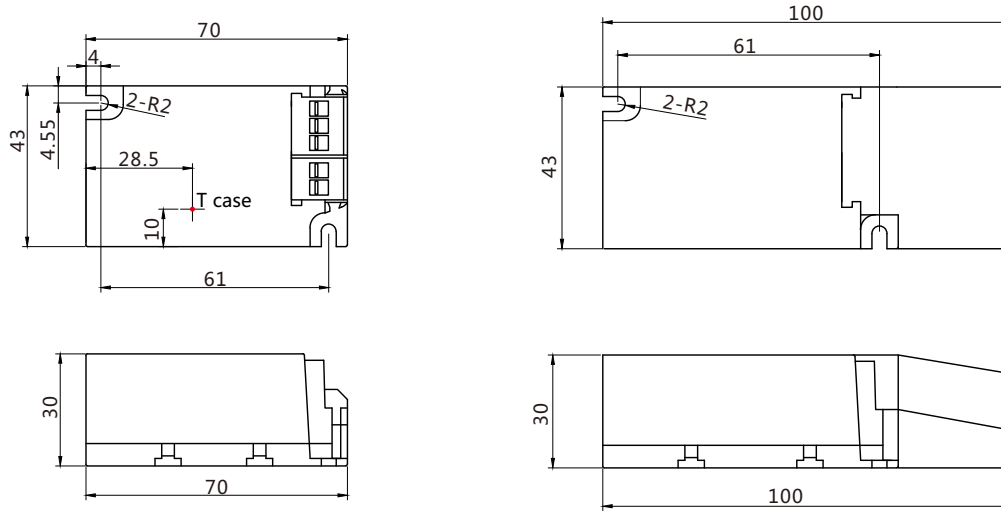
PARAMETER	CONDITIONS	MIN	TYP	MAX	UNITS
Ambient operating temperature	Startup at rated voltage	-25		+50	°C
Operating relative humidity	Non condensing	20		90	%
Storage temperature	Humidity 10 ~ 95% RH	-40		+80	°C
Maximum case temperature	Hot-spot on case			+75	°C
Lifetime	Full load, 220Vac input, 25°C ambient temperature	30			Khrs
Waterproof rating	IP20				
Dimension(LxWxH)	70.0 x 43.0 x 30.0mm 100.0 x 43.0 x 30.0mm(with strain-relief set)				
Weight	150g				

Safety/EMC

Safety standards	Design refer to EN61347-1, EN61347-2-13, GB19510.14
Withstand voltage	I/P: 3KVAC
Insulation resistance	I/P-O/P: 100M Ohms/500VDC/25°C/70%RH
EMC	Design refer to EN55015,GB17743, EN61000-3-2, EN61000-3-3, EN61000-4-2, 3, 4,5,6,8,11,EN61547

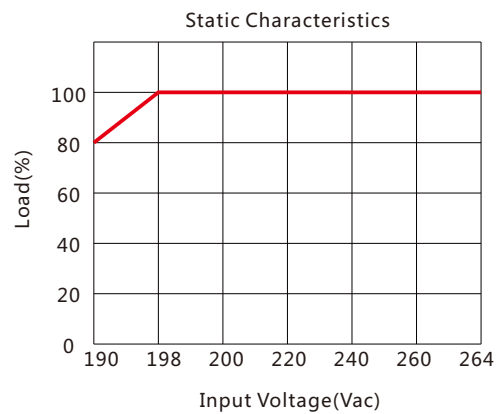
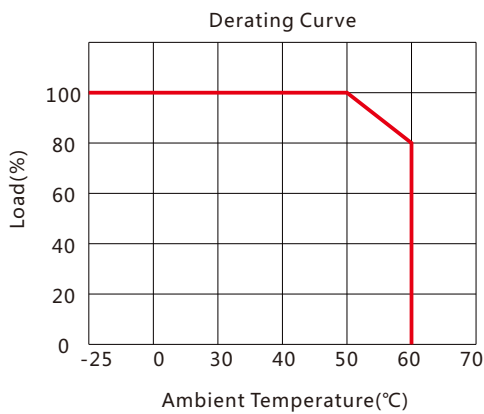
NOTE: Unless otherwise specified, all the above parameters are measured at ambient temperature of 25°C and Vin=220Vac to 240Vac.

Mechanical



Unit: mm

Electrical Curve



Update Record

Date	Version	Updated Content	Updated By	Approved By
2016/12/27	2016-V1.0-1227	File created		
2017/09/18	2017-V1.0-0918	Add input & output mark		
2019/03/14	2019-V2.0-0314	File updated		