

ASR-10 Series, 10Watt

FEATURES:

- ✓ Universal AC input/full range
- ✓ Compact size
- ✓ Short circuit, over voltage protections
- ✓ High efficiency, high density
- ✓ 100% burn-in test
- ✓ 3 year warranty



Model	Nominal input voltage (Vac)	Output 1 (Vdc/mA)	Output 2 (Vdc/mA)	Efficiency (%)	Output power (W)
ASR10-5		5V/2000mA	/	77	10
ASR10-12		12V/900mA	/	78	10
ASR10-15		15V/700mA	/	80	10
ASR10-24		24V/450mA	/	82	10
ASR10-D5		+5V/1000mA	-5V/1000mA	76	10
ASR10-D12	100-240	+12V/416mA	-12V/416mA	78	10
ASR10-D15		+15V/350mA	-15V/350mA	79	10
ASR10-D24		+24V/225mA	-24V/225mA	82	10
ASR10-D0505		5V/1800mA	5V/200mA	72	10
ASR10-D0512		5V/1500mA	12V/200mA	75	10
ASR10-D0524		5V/1000mA	24V/200mA	78	10

Note: Other output models may available on request.

ELECTRICAL

Parameters	Symbols	Test Conditions / Comment	Input			Units
			Min.	Typ.	Max.	
Input voltage	V_{in}	--	85	--	265	Vac
			120	--	370	Vdc
Input frequency	F_{line}	--	47	--	63	Hz
Inrush current	I_{inrush}	Cold start, full load, $V_{in}=110Vac$	--	10	--	A
		Cold start, full load, $V_{in}=230Vac$	--	20	--	A
Leakage current	$I_{leakage}$	230Vac/50Hz	--	0.3	--	mA

ASR-10 Series, 10Watt
ELECTRICAL
Input

Parameters	Symbols	Test Conditions / Comment	Min.	Typ.	Max.	Units
External fuse	--	2A/250V, Slow breaking				

Output

Output voltage accuracy	--	--	--	±2	--	%
Line regulation	$V_{out-line}$	--	--	±0.5	--	%
Load regulation	$V_{out-load}$	10%~100% load	--	±1	--	%
Minimum load	--	--	10	--	100	%
Efficiency	η	--	--	70	--	%
Ripple & Noise	V_{ripple}	20MHz Bandwidth	--	100	--	mVp-p

Protection

Short circuit	Hiccup mode, it will auto-recover after fault condition is removed					
Over voltage	110% V_o					

Environment

Storage	$T_{storage}$	Humidity: 10% RH to 95% RH	-40	--	+105	°C
Ambient operating temperature	T_a	Startup at rated voltage(please refer to derating curve)	-40	--	+70	°C
Operating relative humidity	H_a	Non condensing	10	--	85	%
Temperature coefficient	--	--	--	0.02	--	%/ °C
MTBF	T_{MTBF}	MIL-HDBK-217F(25°C)	300	--	--	kHrs
Dimension(LxWxH)	55.0 x 45.0 x 21.0mm					

ASR-10 Series, 10Watt

ELECTRICAL

Safety / EMC

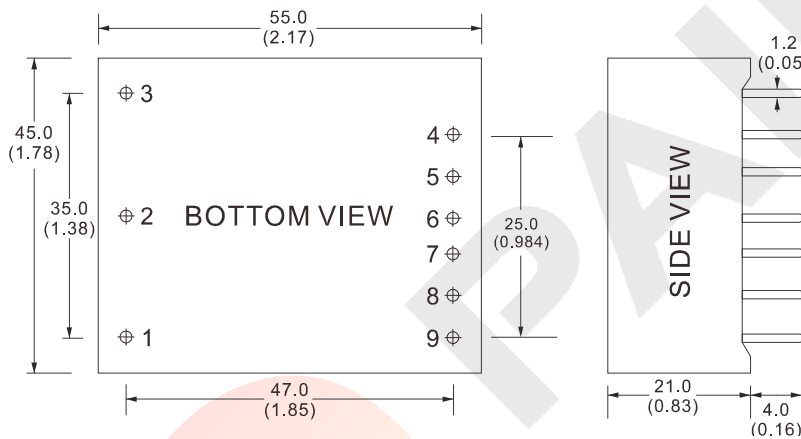
Safety standards Design refer to UL60950, EN60950

Isolation voltage I/P-O/P: 3KVAC/1 minute

EMC EN55022 Class A

Notes: Unless otherwise specified, all the above parameters are measured at ambient temperature of 25°C and Vin = 100Vac to 240Vac.

MECHANICAL



PIN DEFINITION

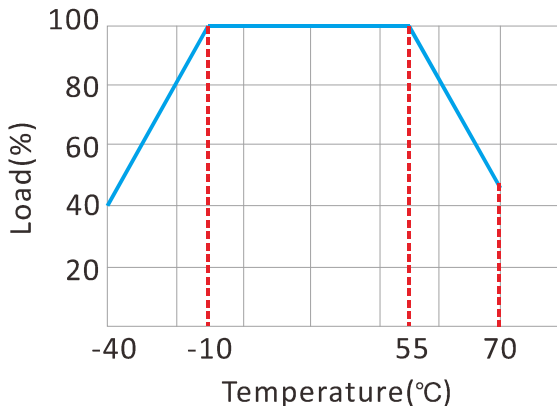
Pin	SINGLE	DUAL	TWO
1	NC	NC	NC
2	AC(N)	AC(N)	AC(N)
3	AC(L)	AC(L)	AC(L)
4	+Vo	+Vo	+Vo2
5	NC	NC	-Vo2
6	NC	COM	NC
7	NC	NC	+Vo1
8	-Vo	-Vo	-Vo1
9	NC	NC	NC

Unit: mm

ASR-10 Series, 10Watt

ELECTRICAL CURVE

DERATING CURVE



STATIC CHARACTERISTIC CURVE

