

DAM-2 SERIES, 2WATT, 1KVDC, ISOLATED, UNREGULATED
FEATURES:

- ✓ 1000Vdc isolation voltage
- ✓ Single, dual and isolated twin output models
- ✓ High efficiency, and low ripple & noise
- ✓ Operating temperature range -40°C to +85°C
- ✓ 3 year warranty



Model	Input voltage (Vdc)	Output voltage (Vdc)	Output current (mA)		Efficiency Typ.
			Min.	Max.	
DAM2-0510	5(4.5~5.5)	3.3	40	400	74%
DAM2-0511		5	40	400	81%
DAM2-0512		9	22.2	222	84%
DAM2-0513		12	16.6	166	83%
DAM2-0514		15	13.3	133	84%
DAM2-0515		24	8.3	83	80%
DAM2-0521		±5	20	200	82%
DAM2-0522		±9	11.1	111	85%
DAM2-0523		±12	8.3	83	86%
DAM2-0524		±15	6.7	67	82%
DAM2-1211	12(10.8~13.2)	5	40	400	81%
DAM2-1212		9	22.2	222	82%
DAM2-1213		12	16.6	166	85%
DAM2-1214		15	13.3	133	82%
DAM2-1215		24	8.3	83	87%
DAM2-1221		±5	20	200	81%
DAM2-1222		±9	11.1	111	84%
DAM2-1223		±12	8.3	83	86%
DAM2-1224		±15	6.7	67	82%
DAM2-2411		24(21.6~26.4)	5	40	400
DAM2-2412	9		22.2	222	83%
DAM2-2413	12		16.6	166	84%
DAM2-2414	15		13.3	133	84%
DAM2-2415	24		8.3	83	84%
DAM2-2421	±5		20	200	80%
DAM2-2422	±9		11.1	111	84%
DAM2-2423	±12		8.3	83	84%
DAM2-2424	±15		6.7	67	84%

Notes: Other input and output models may available on request.

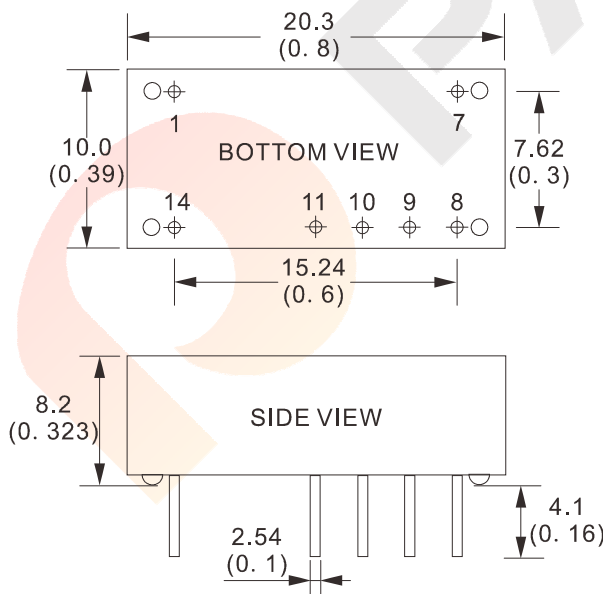
DAM-2 SERIES, 2WATT, 1KVDC, ISOLATED, UNREGULATED

ELECTRICAL

Line regulation	---	1.2% max.
Load regulation	10% ~ 100% full load	15% max.
Isolation voltage	Leakage current < 1mA/1min.	1000Vdc min.
Isolation resistance	Test at 500VDC	1000mΩ min.
Switching frequency	---	100KHz typ.
Ripple & noise	Bend width 20MHz	150mVp-p max.
Temperature coefficient	Rated load	±0.03%/°C
Operating temperature range	---	-40°C to +85°C
Storage temperature range	---	-55°C to +125°C
Short circuit protection	---	1S
MTBF	---	3500KHrs
Weight	---	2.5g

Notes: All the parameters are measured at 25°C ambient temperature, humidity < 75%, nominal input voltage, full load and after warm-up, unless otherwise specified.

MECHANICAL



CONNECTION

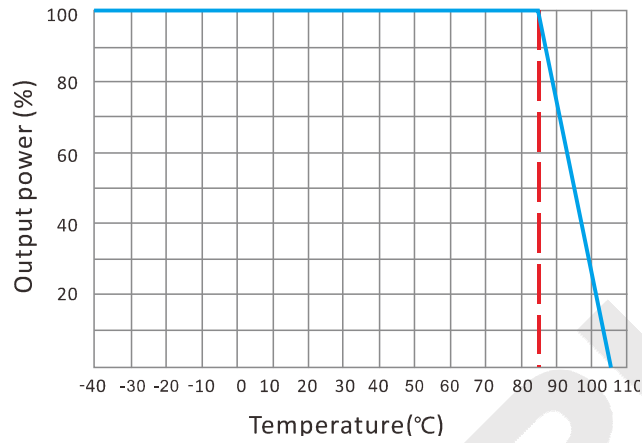
PIN #	SINGLE	DUAL	ISOLATED TWIN
1	GND	GND	GND
7	NC	NC	NC
8	0V	0V	+Vo2
9	+Vo	+Vo	0V2
10	No Pin	No Pin	+Vo1
11	-Vo	No Pin	0V1
14	+Vin	+Vin	+Vin

Note:

* Unit is mm(inch).

DAM-2 SERIES, 2WATT, 1KVDC, ISOLATED, UNREGULATED

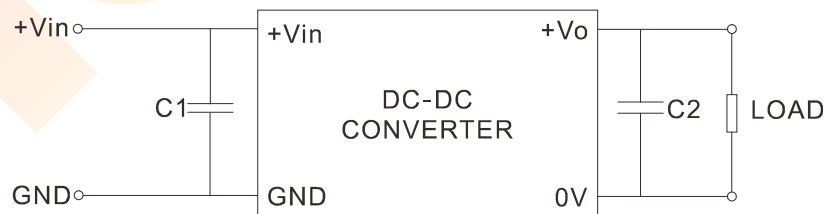
ELECTRICAL CURVE



NOTE

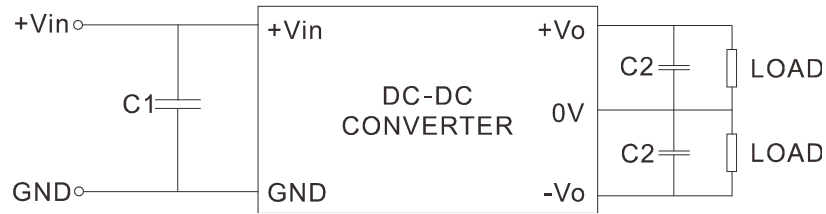
RECOMMENDED TEST AND APPLICATION CIRCUIT

SINGLE OUTPUT

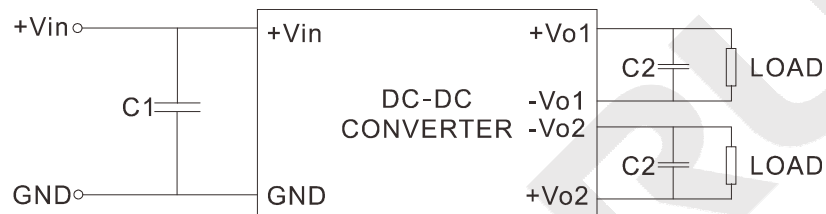


DUAL OUTPUT

DAM-2 SERIES, 2WATT, 1KVDC, ISOLATED, UNREGULATED



TWIN ISOLATED OUTPUT



CAPACITOR SELECTION

INPUT VOLTAGE	C1	SINGLE OUTPUT	C2	DUAL OUTPUT	C2	ISOLATED TWIN OUTPUT	C2
5VDC	4.7 μ F	3.3VDC	10 μ F	\pm 5VDC	4.7 μ F	5, 5VDC	4.7 μ F
12VDC	2.2 μ F	5VDC	10 μ F	\pm 9VDC	2.2 μ F	9, 9VDC	2.2 μ F
24VDC	1.0 μ F	9VDC	4.7 μ F	\pm 12VDC	1.0 μ F	12, 12VDC	1.0 μ F
--	--	12VDC	2.2 μ F	\pm 15VDC	0.47 μ F	15, 15VDC	0.47 μ F
--	--	15VDC	1.0 μ F	--	--	--	--
--	--	24VDC	0.47 μ F	--	--	--	--