



# Specifications

---

## Constant Voltage LED Power Supplies IP44/IP65 Series -PGZW, 100W

**PAIRUI ELECTRONICS**

No. 545 Museum Road  
Yangzhou, Jiangsu  
China 225009

Tel: 86 (514) 8279 1592

Fax: 86 (514) 8769 3159

**2020**

# LED Power Supplies for Outdoor Use

## PGZW SERIES, 100WATT, IP44/IP65 RATING

### Features

- 3 Years Warranty
- Universal Input Voltage Range: 100~240Vac
- Constant Voltage Output Mode
- Waterproof Rating IP44/IP65
- Built-in Active Power Factor Correction
- Class II Power, no FG
- All Round Protections: Short Circuit, Over Voltage, Over Current



### Applications

- ✓ Garden Light
- ✓ Landscape Light
- ✓ Strip Light
- ✓ Cabinet Light
- ✓ Other Indoor and Outdoor used Lights

### Electrical

Part Number	Output Power	Output Current	Output Voltage	Efficiency	Certificate
PGZW100V0012NSFPC4	100W	0-7000mA	12V	85%	CE
PGZW100V0024NSFPC4	100W	0-4200mA	24V	89%	CE
PGZW100V0036NSFPC4	100W	0-2800mA	36V	89%	CE
PGZW100V0048NSFPC4	100W	0-2100mA	48V	90%	CE

Part Number	Output Power	Output Current	Output Voltage	Efficiency	Certificate
PGZW100V0012NSFPD4	100W	0-7000mA	12V	85%	CE
PGZW100V0024NSFPD4	100W	0-4200mA	24V	89%	CE
PGZW100V0036NSFPD4	100W	0-2800mA	36V	89%	CE
PGZW100V0048NSFPD4	100W	0-2100mA	48V	90%	CE

NOTE: IP44: PGZWxxxVxxxxNSFPC1, IP65: PGZWxxxVxxxxNSFPD1

**INPUT**

PARAMETER	CONDITIONS	MIN	TYP	MAX	UNITS
Input frequency		47		63	Hz
Input current	Full load, Vin=230Vac		1.2		A
Inrush current	Cold start, Vin=230Vac			50	A
Power factor(PF)	Full load, Vin=230Vac		0.95		
Surge voltage	L-N		2		KV

**OUTPUT**

PARAMETER	CONDITIONS	MIN	TYP	MAX	UNITS
Output voltage accuracy			±5		%
Line regulation	Vin from 100Vac to 240Vac		±5		%
Load regulation	Vout from min. to max.		±5		%
Turn-on delay time	Full load, cold start, power on		1000		ms
Ripple	Please refer to below measuring method		20%Vo		mVp-p
THD	Output load (Full load)			20	%

NOTE: The values are measured at 20MHz of bandwidth by using a 12'' twisted pair-wire terminated with 0.1uF & 47uF parallel capacitor under ambient temperature 25°C at rated input voltage and rated load.

### Protection

Short circuit	In hiccup mode, it will recover automatically after fault condition is removed
Over voltage	110-150% Vout, it will recover automatically after fault condition is removed
Over current	In hiccup mode, it will recover automatically after fault condition is removed

### Environment

PARAMETER	CONDITIONS	MIN	TYP	MAX	UNITS
Ambient operating temperature	Startup at rated voltage (Derating required)	-25		+50	°C
Operating relative humidity	Non condensing	20		90	%
Storage temperature	Humidity 10 ~ 95% RH	-40		+80	°C
Maximum case temperature	Hot-spot on case			+75	°C
Lifetime	Full load, 220Vac input, 25°C ambient temperature	30			Khrs
Waterproof rating	Slim wire IP44   Heavy wire IP65				
Dimension(LxWxH)	193.0 x 52.5 x 42.4mm				
Weight	630g				

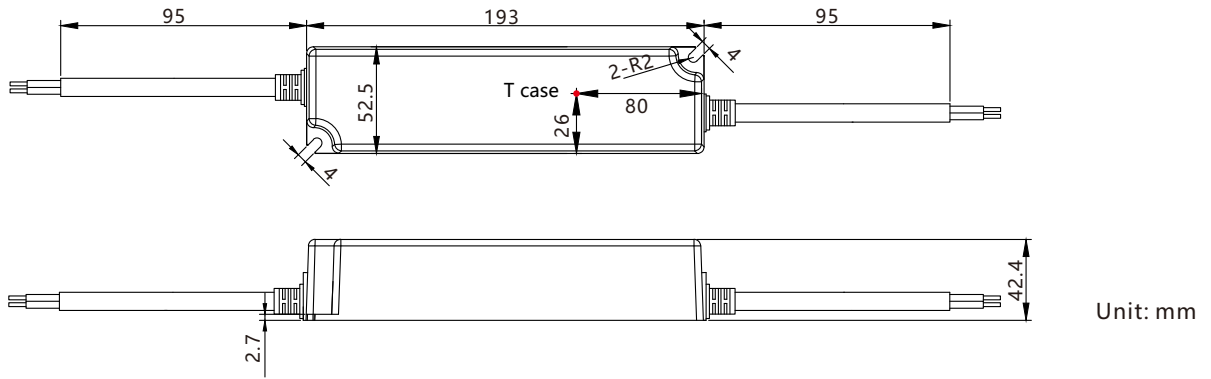
### Safety/EMC

Safety	Design refer to UL8750, EN61347, EN61347-2-13
EMC	Compliance to EN55015, FCC Part 15 Class B, EN61000-3-2, EN61000-3-3, EN61000-4-2, 3, 4, 6, 8, 11, EN61547

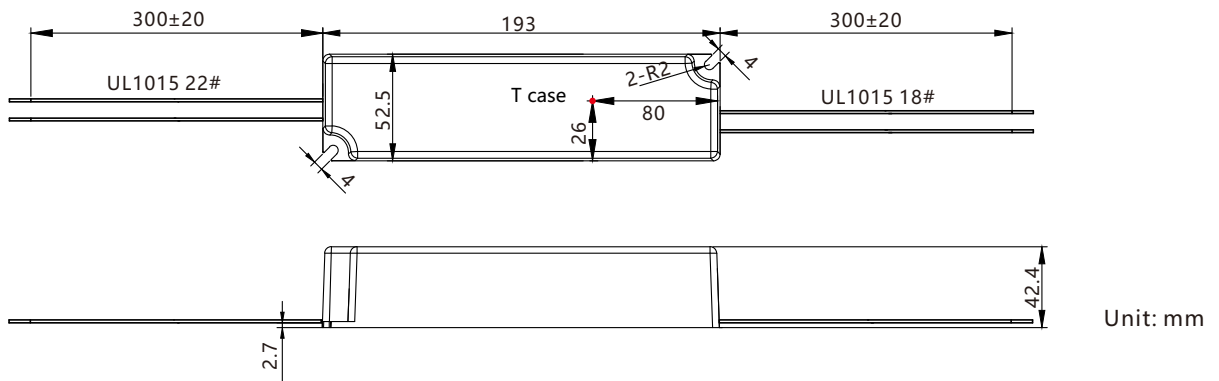
NOTE: Unless otherwise specified, all the above parameters are measured at ambient temperature of 25°C and Vin=100Vac to 240Vac.

Mechanical

Heavy wires



Slim wires



Electrical Curve

